

K-6846

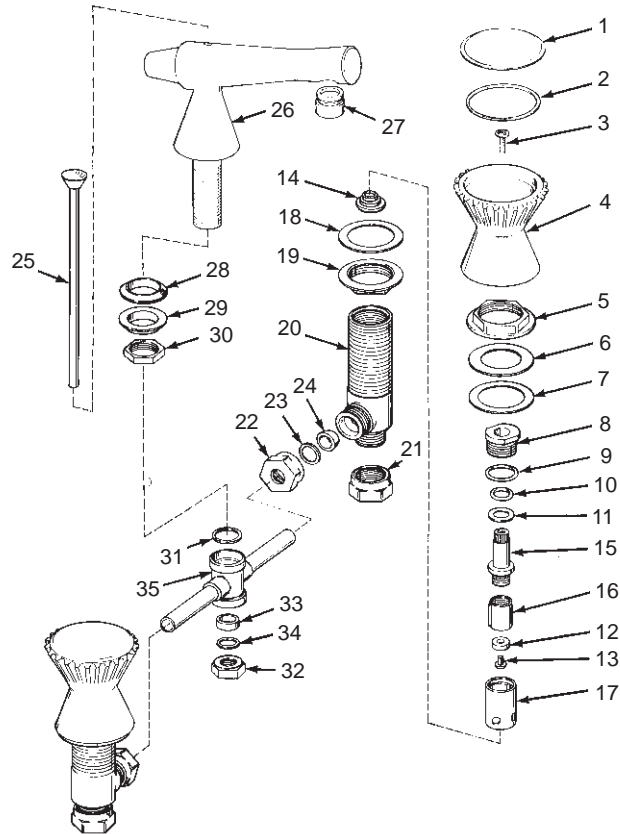
BRAVURA

LAVATORY FITTING
(RIGID CONNECTION)

ORDER BY KIT NUMBER OR PART NUMBER, NOT ITEM NUMBER OR KIT LETTER.

Ordering Options

Item	Part No. or Kit
1	48695‡
2	48694
3	B
4	48697‡
5, 6, 7	C
8	20475
9, 10, 11, 12,	A, D
13, 14	A, D
15, 16, 17	D
18, 19	C
20	20480
21, 22	E
23, 24	G
25	48699‡
26	48702‡
27	41056‡
28, 29, 30, 31, 32,	F
33, 34	F
35	35823



Kit Ordering Information

Kit	Kit Part No.	Kit Name
A	30294	Valve Rebuilding
B	30105	Screw
C	30231	Attachment S.A.
D	30002	Valve Replacement
E	30230	Coupling Nut
F	30229	Gasket

Kit Contents

2 ea., Items 9 thru 14
 2 ea., Item 3
 2 ea., Items 5, 6, or 18, 19, and 7
 1 ea., Items 9 thru 17
 2 ea., Item 21 or 22
 2 ea., Items 23 and 24
 1 ea., Items 28 thru 34

KITS MAY INCLUDE EXTRA PARTS

NOTES:

For pop-up drain, see K-7701.

LEGEND:

‡ Specify Finish.