

K-6962

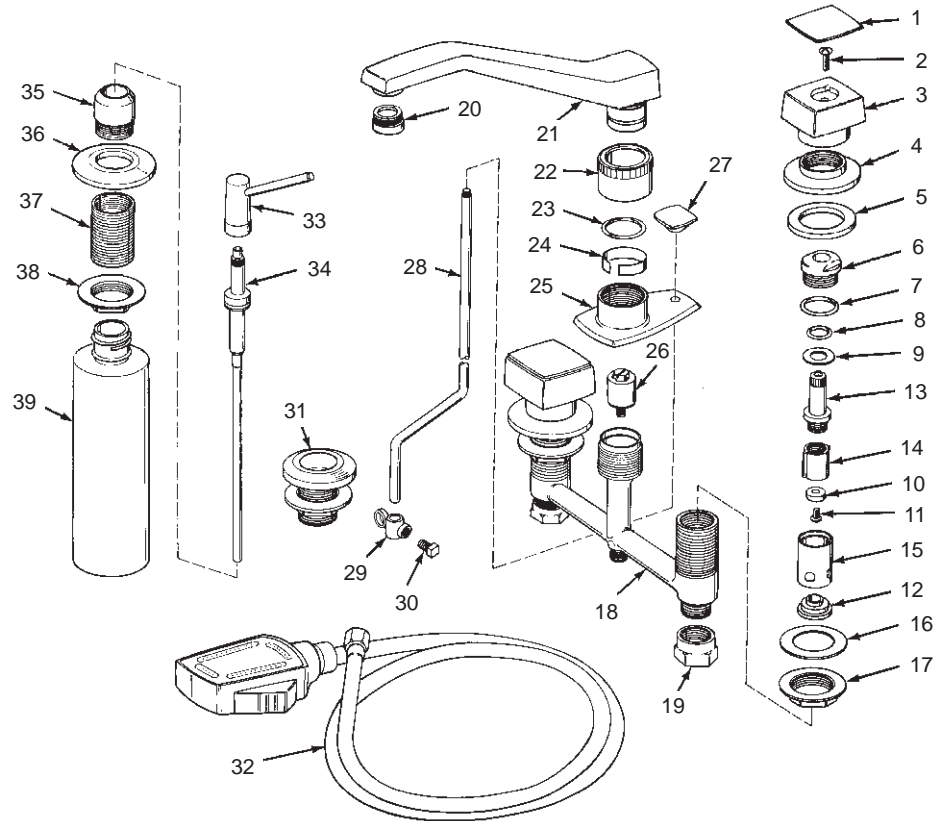
ALTERNA

SHAMPOO LAVATORY FITTING
(MAN'S LAV WITH K-9610 SOAP/LOTION DISPENSER)

ORDER BY KIT NUMBER OR PART NUMBER, NOT ITEM NUMBER OR KIT LETTER.

Ordering Options

Item	Part No. or Kit
1	B
2	C
3	29717‡
4	D
5	39924
6	20475
7, 8, 9, 10, 11, 12	A, E
13, 14, 15	E
16, 17	F
18	*
19	G
20	41056, J
21, 22	J
23	29464, J
24	41495, J
25	41309‡
26	43262
27	29700‡
28	41315‡
29, 30	H
31	34329‡
32	41379‡
33	41385‡
34	41382‡
35, 36, 37, 38	I
39	41381



Kit Ordering Information

Kit	Kit Part No.	Kit Name	Kit Contents
A	30294	Valve Rebuilding	2 ea., Items 7 thru 12
B	29746	Index Caps	4 pr. of 4 finishes; Item 1
C	30105‡	Screw	2 ea., Item 2
D	30083‡	Escutcheon	2 ea., Item 4
E	30002	Valve Replacement	1 ea., Items 7 thru 15
F	30234	Attachment S.A.	2 ea., Items 16 and 17
G	30230‡	Coupling Nut	2 ea., Item 19
H	30235	Link S.A.	1 ea., Items 29 and 30
I	30236‡	Attachment S.A.	1 ea., Items 35 thru 38
J	41308‡	Spout S.A.	1 ea., Items 20 thru 24

KITS MAY INCLUDE EXTRA PARTS

NOTES:

* Not available as a service part.
For pop-up drain see K-7701.

LEGEND:

‡ Specify Finish.