

KOHLER® SERVICE PARTS

LAVATORY FITTINGS

K-6846
-F

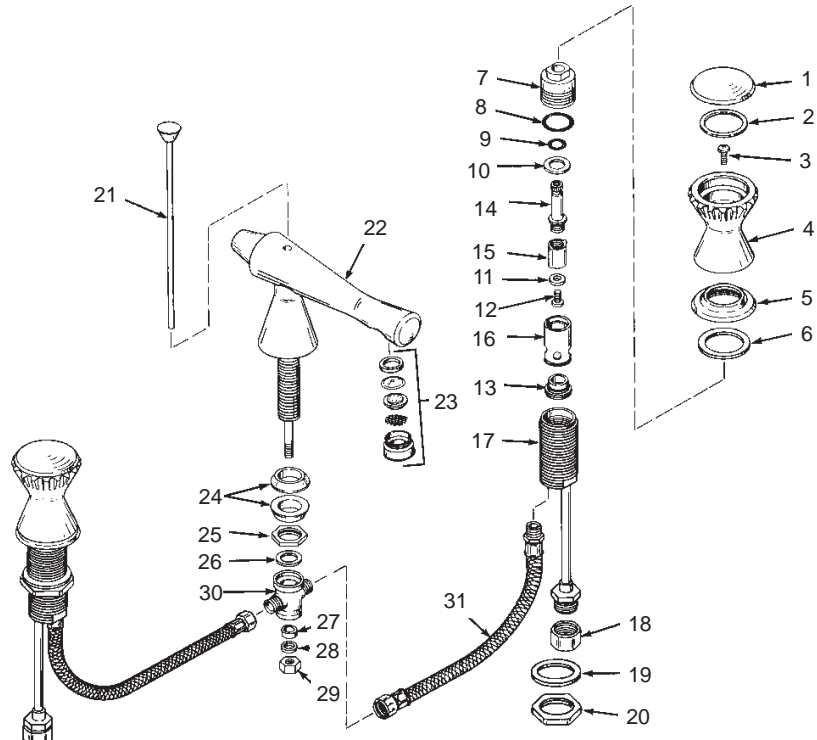
BRAVURA

LAVATORY FITTING
FLEXIBLE CONNECTIONS

ORDER BY KIT NUMBER OR PART NUMBER, NOT ITEM NUMBER OR KIT LETTER.

Ordering Options

Item	Part No. or Kit
1	48695‡
2	48694
3	B
4	48697‡
5	40034‡
6	48698
7	40002
8, 9, 10, 11, 12, 13	A, C
14, 15, 16	C
17	40004
18, 19, 20	D
21	48699‡
22	48702‡
23	41056‡
24, 25, 26, 27,	E
28, 29	E
30	40031
31	F



Kit Ordering Information

Kit	Kit Part No.	Kit Name
A	30294	Valve Rebuilding
B	30105	Screw
C	30002	Valve Replacement
D	30332	Attachment S.A.
E	30274	Gasket
F	30233	Flexible Hose

Kit Contents

2 ea., Items 8 thru 13
 2 ea., Item 3
 1 ea., Items 8 thru 16
 2 ea., Items 18, 19, and 20
 1 ea., Items 24 thru 29
 2 ea., Item 31

KITS MAY INCLUDE EXTRA PARTS

NOTES:

For pop-up drain, see K-7701.

LEGEND:

‡ Specify Finish.