

KOHLER® SERVICE PARTS

SINK FITTINGS

K-7825-T
K-7827-T
-W
-R
-L

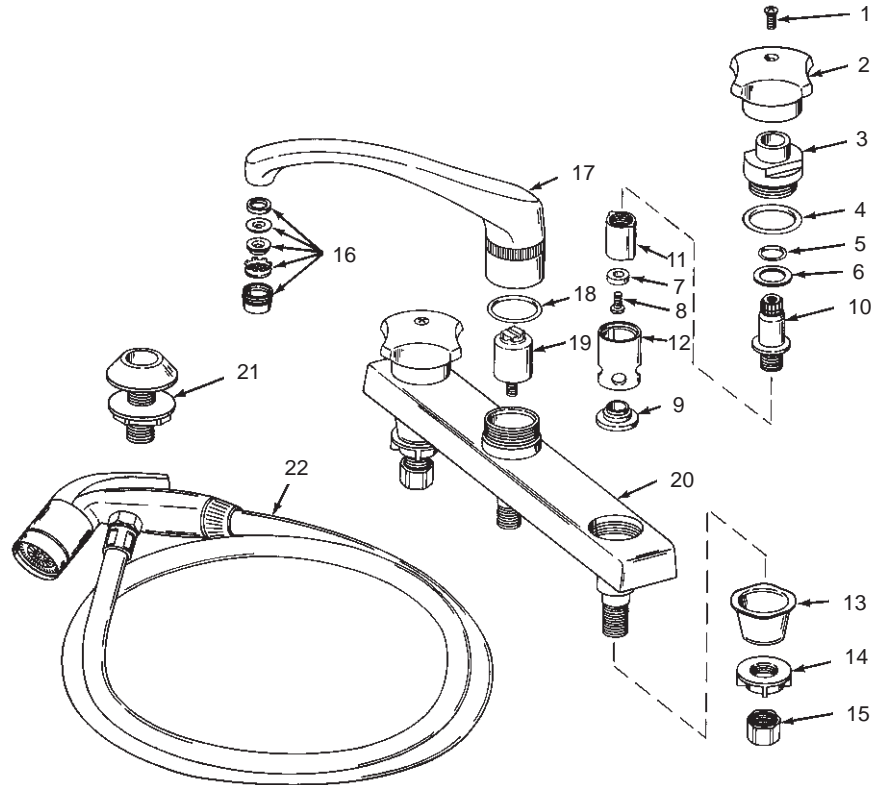
TRITON II
TRITON II

LEDGE SINK FITTING
LEDGE SINK FITTING
WITH WRIST HANDLES (NOT ILLUSTRATED)
SPOUT REVISED IN 1981
WITH LEVER HANDLES (NOT ILLUSTRATED)

ORDER BY KIT NUMBER OR PART NUMBER, NOT ITEM NUMBER OR KIT LETTER.

Ordering Options

Item	Part No. or Kit
1	B
2	C
3	34260‡
4, 5, 6, 7, 8, 9	A, D
10, 11, 12	D
13, 14, 15	E
16	41056‡, F
17	F
18	F, G
19	G
20	*
21	34329‡
22	38613‡



Kit Ordering Information

Kit	Kit Part No.	Kit Name
A	30294	Valve Rebuilding
B	30097‡	Screw
C	30059‡	Triton II Handles
D	30002	Valve Replacement
E	30227	Attachment S.A.
F	38824‡	Spout S.A.
G	39931	Diverter

Kit Contents

2 ea., Items 4 thru 9
2 ea., Item 1
1 ea. Hot, 1 ea. Cold; Item 2
1 ea., Items 4 thru 12
2 ea., Items 13, 14, and 15
1 ea., Items 16, 17, and 18
1 ea., Items 18 and 19

KITS MAY INCLUDE EXTRA PARTS

NOTES:

* Not available as a service part.

LEGEND:

‡ Specify Finish.