

KOHLER® SERVICE PARTS

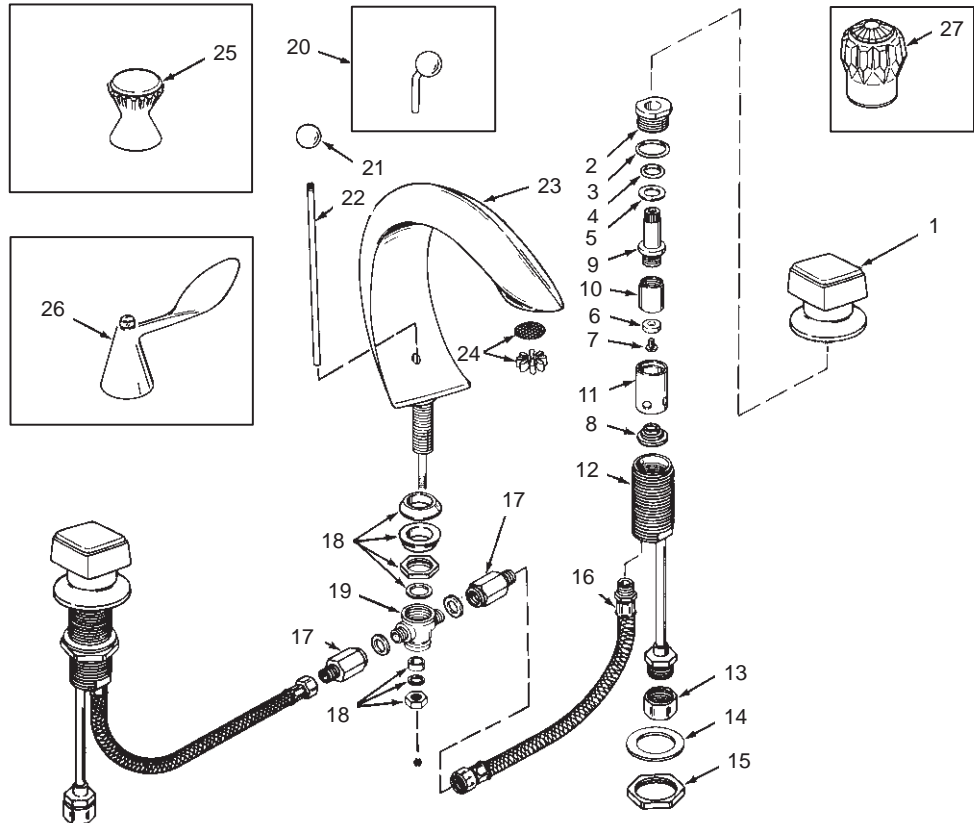
LAVATORY FITTINGS

K-6954-F	ALTERNA (4")	CRESCENT LAVATORY FITTING
K-6847-F	BRAVURA (4")	CRESCENT LAVATORY FITTING
K-7438-DB-F	FLAIR II (4")	CRESCENT LAVATORY FITTING
K-13338	FINESSE (4")	CRESCENT LAVATORY FITTING
K-13338-R	FINESSE (5")	CRESCENT LAVATORY FITTING

ORDER BY KIT NUMBER OR PART NUMBER, NOT ITEM NUMBER OR KIT LETTER.

Ordering Options

Item	Part No. or Kit
1	K
2	40002, A
3, 4, 5, 6, 7, 8	A, B, C, D
9, 10, 11	B or C or D
12	40004
13, 14, 15	E
16	F
17	21221
18	G
19	30613
20	56680
21	21215
22	L or M
23	N or O
24	43185
25	H
26	I
27	J



Kit Ordering Information

Kit	Kit Part No.	Kit Name	Kit Contents
A	30294	Valve Service Kit	2 ea., Items 2 thru 8
B	30002	Valve Assembly (Closes Clockwise, Symmetric)	1 ea., Items 3 thru 11
C	30127	Valve Assembly (Closes Counterclockwise, Finesse)	1 ea., Items 3 thru 11
D	30128	Valve Assembly (Closes Clockwise, Finesse)	1 ea., Items 3 thru 11
E	30332	Mounting Hardware	2 ea., Items 13, 14, and 15
F	30233	Hoses	2 ea., Item 16
G	30274	Gasket Kit	1 ea., Item 18
H	106890 §	Bravura Handle Options	See INDEX.
I	106730 §	Wrist Control Handle Option	See INDEX.
J	106299 §	Flair II Handle Options	See INDEX.
K	106478 §	Alterna Handle Options	See INDEX.
L	21220 ‡	Rod (For 4" Spout)	1 ea., Item 22
M	56676 ‡	Rod (For 5" Spout)	1 ea., Item 22
N	21219 ‡	Spout (4")	1 ea., Item 23
O	54969 ‡	Spout (5")	1 ea., Item 23

KITS MAY INCLUDE EXTRA PARTS

NOTES:

* For pop-up drain, see K-7701.

LEGEND:

‡ Specify Finish.
§ Reference Number Only.
■ Parts further exploded in catalog; see INDEX.