

KOHLER® SERVICE PARTS

BATH AND SHOWER FITTINGS

K-15201
K-15204
-S

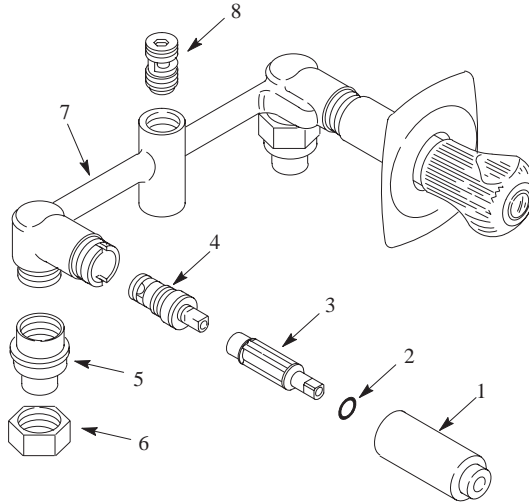
CORALAIS
CORALAIS

BATH AND SHOWER VALVE ASSEMBLY WITH DIVERTER SPOUT AND SHOWERHEAD
BATH AND SHOWER VALVE ASSEMBLY WITH STOPS, SPOUT, AND SHOWERHEAD
WITH SLIP-FIT SPOUT

ORDER BY KIT NUMBER OR PART NUMBER, NOT ITEM NUMBER OR KIT LETTER.

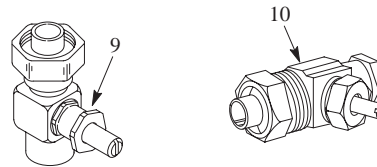
Ordering Options

Item	Part No. or Kit
VALVE ASSEMBLY	
1	70098 ‡
2	42045
3	70096
4	A or B
5	70101
6	70100
7	*
8	30521



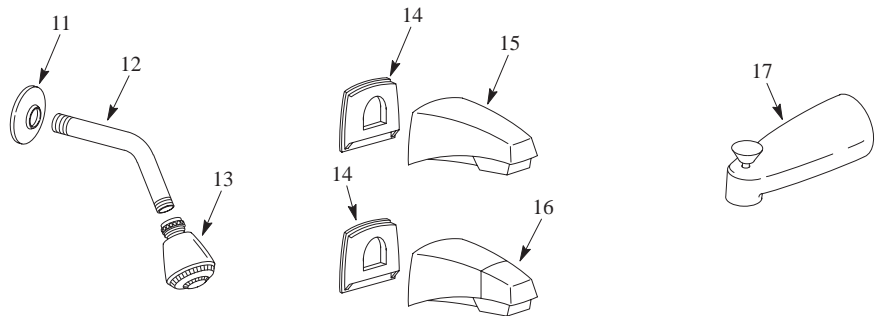
Ordering Options

Item	Part No. or Kit
STOPS	
9,10	C



Ordering Options

Item	Part No. or Kit
SPOUTS AND SHOWER-HEADS	
11	20429 ‡
12	51410 ‡
13	20384 ‡
14	70373
15	D or E
16	F or G
17	H



KITS MAY INCLUDE EXTRA PARTS

OVER

NOTES:

Other Product Numbers Using Same Parts:
K-15202 K-15211 K-15212 K-15214 K-15221 K-15224
* Not available as a service part.
** Also available in colors and wood-order from Design Manual.

LEGEND:

‡ Specify finish.
§ Reference number only.
■ Parts further exploded in catalog; see INDEX.
□ Shading indicates product discontinued.

BATH AND SHOWER FITTINGS

K-15201
K-15204
 -S

CORALAIS
 CORALAIS

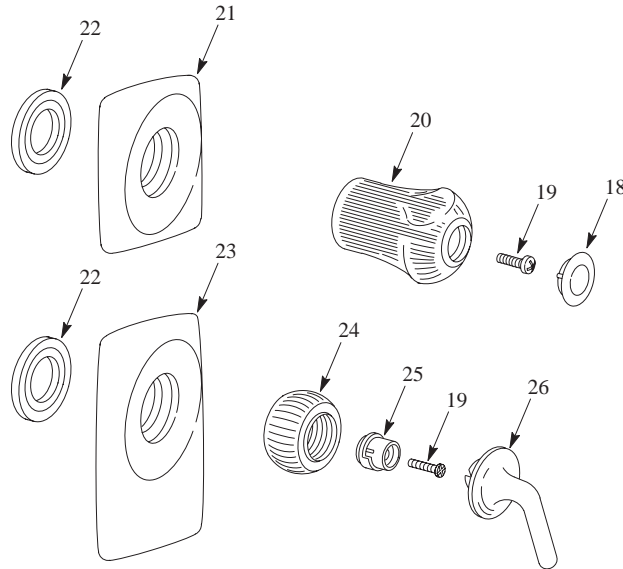
BATH AND SHOWER VALVE ASSEMBLY WITH DIVERTER SPOUT AND SHOWERHEAD
 BATH AND SHOWER VALVE ASSEMBLY WITH STOPS, SPOUT, AND SHOWERHEAD
 WITH SLIP-FIT SPOUT

Con't.

ORDER BY KIT NUMBER OR PART NUMBER, NOT ITEM NUMBER OR KIT LETTER.

Ordering Options

Item	Part No. or Kit
ESCUTCHEONS AND HANDLES	
18	I or J
19	70047
20	70233
21	70248 †
22	70097
23	70250 †
24	70306 †**
25	70307
26	70303 †



Kit Ordering Information

Kit	Kit Part No.	Kit Name	Kit Contents
A	70127	Valve Replacement (Closes Clockwise)	1 ea., item 4
B	70415	Valve Replacement (Closes Counterclockwise)	1 ea., item 4
C	106479§ ■	Stop Assembly Options	SEE INDEX.
D	70444 †	Spout (Slip-Fit)	1 ea., item 15
E	70445 †	Spout (1/2" I.P. Connection)	1 ea., item 15
F	70446 †	Diverter Spout (Slip-Fit)	1 ea., item 16
G	70447 †	Diverter Spout (1/2" I.P. Connection)	1 ea., item 16
H	20391 †	Diverter Spout (1/2" I.P. Connection)	1 ea., item 17
I	70207	Plug Button (Cold)	1 ea., item 18
J	70208	Plug Button (Hot)	1 ea., item 18

KITS MAY INCLUDE EXTRA PARTS

NOTES:

Other Product Numbers Using Same Parts:
 K-15202 K-15211 K-15212 K-15214 K-15221 K-15224

* Not available as a service part.

** Also available in colors and wood-order from Design Manual.

LEGEND:

† Specify finish.

§ Reference number only.

■ Parts further exploded in catalog; see INDEX.

□ Shading indicates product discontinued.