

**For:ko41275**

**Printed on:Mon, Jun 28, 1999 11:19:21**

**Document:112537\_1\_ba\_\_**

**Last saved on:Mon, Jun 28, 1999 10:41:45**

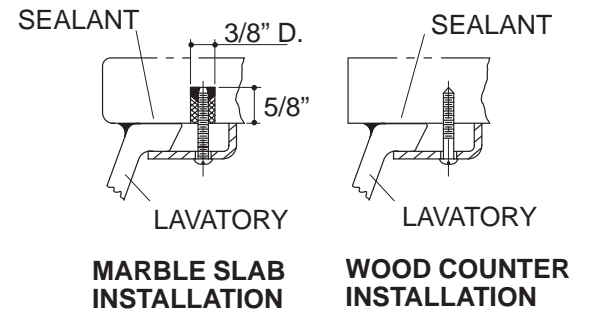
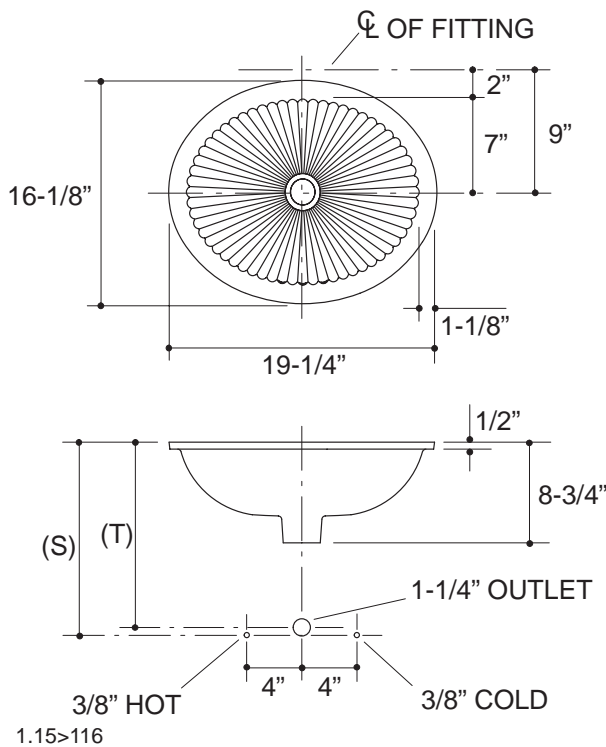
**Ordering Information**

Applicable lavatory:		
17" x 14" lavatory	K-2219	shown
17" x 14" glazed underside	K-2219-G	shown
Accessories/hardware:		
Trap	K-9018	recommended

**Product Information**

Fixture*:		basin area	water depth
Lavatory		17" x 14"	6-3/8"
Outlet	1-3/4" D.		
* Approximate measurements for comparison only.			

Included Components:	
Basin clamp assembly	52047
Adjustable linkage	40372
Cutout template	101085-7



NOTE: WATERPROOF UNPROTECTED OVERHANG AREA ON THE UNDERSIDE OF WOOD COUNTER.

<b>Roughing-In Notes</b>
Fixture dimensions are nominal and conform to tolerances in ASME Standard A112.19.2M.
(T) Pop-up drain 13-3/16", drain 12-5/16".
(S) 14" (Based on 12" riser which may require cutting).
Supplied basin clamp assemblies require 1" minimum countertop thickness. Installer must supply anchors for thinner countertops.