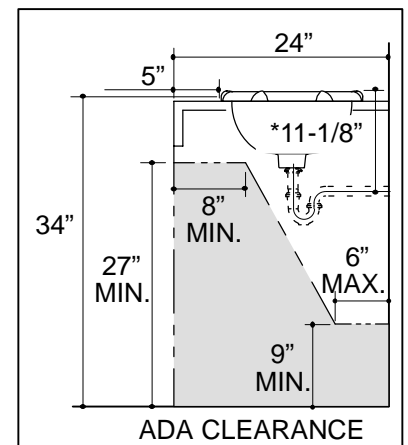
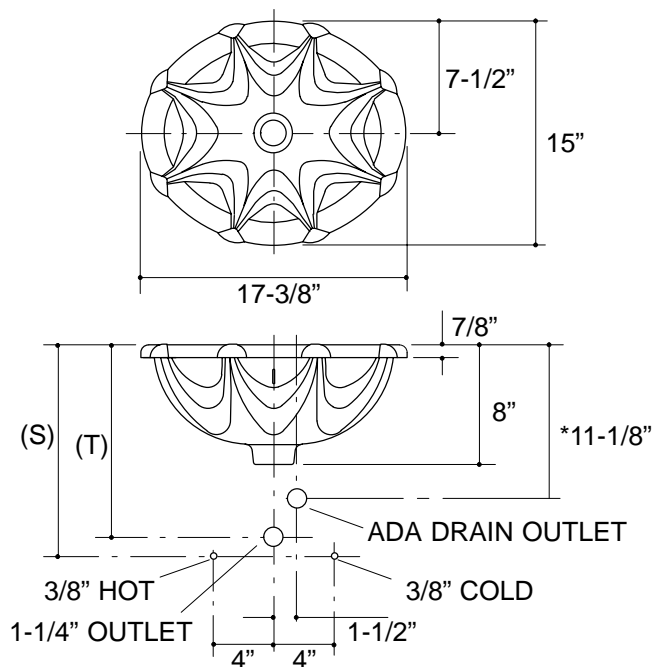


Ordering Information

Accessories/hardware:		
Trap	K-8998	recommended

Product Information

ADA compliant.			
Fixture*:		basin area	water depth
Lavatory		14" x 12"	6-1/8"
Outlet	1-3/4" D.		
* Approximate measurements for comparison only.			
Included Components:			
Adhesive sealant		63034	
Adjustable linkage		40372	
Cutout template		113009	



Roughing-In Notes

Fixture dimensions are nominal and conform to tolerances in ASME Standard A112.19.2M.

*Based on K-8998 with 1" of tailpiece exposed.

(T) Pop-up drain 13-5/8", grid drain 12-3/4".

(S) 14" (Based on 12" riser which may require cutting).

4-5/8" minimum faucet spout length needed to reach over rim into basin.

1.25>116

K-2184 Chenille™ Lavatory
113015-1-AA (A)

KOHLER®