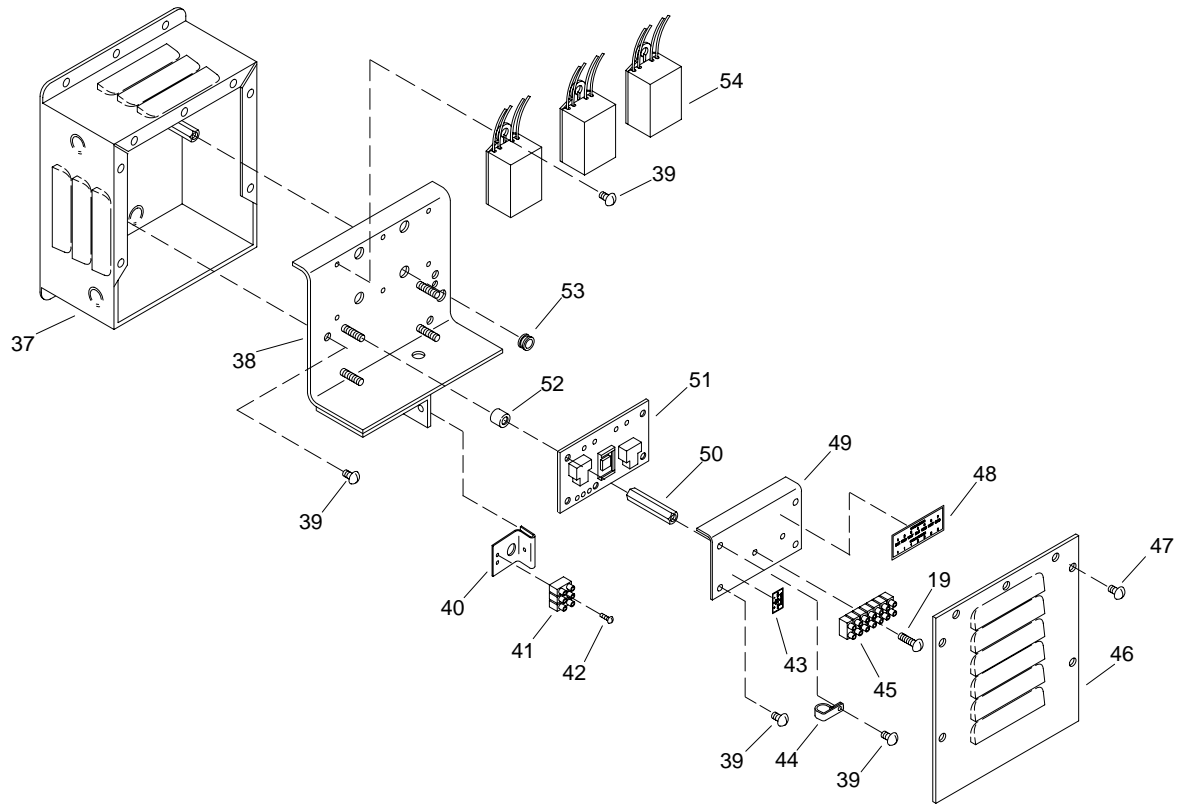


Variation and/or finish/color code may be required when ordering.



Variation and/or finish/color code may be required when ordering.

SERVICE PARTS

ITEM	PART NO.	DESCRIPTION
1		Available In Service Kit Only
2	83216	Valance, Vanity
3		Available In Service Kit Only
4		Available In Service Kit Only
5	83391	Light Assembly, Left
6		Available In Service Kit Only
7	82986	Mirror Insert, Vanity
8	83372	Clip, Light
9	83201	Lamp, Halogen, 20 Watt
10		Available In Service Kit Only
11		Available In Service Kit Only
12	83379	Lamp Socket, Halogen
13		Available In Service Kit Only
14		Available In Service Kit Only
15		Available In Service Kit Only
16		Available In Service Kit Only
17		Available In Service Kit Only
18	83829	Terminal Block, Large
19		Available In Service Kit Only
20		Available In Service Kit Only
21	83389	Light Assembly, Right
22	83376	Switch Assembly, Top Lights
23	83387	Switch Assembly, Side Lights
24	83210	Drawer, Box, Pull-Out
25		Lamp, Halogen, 20 Watt
26	83204	Countertop
27	83208	Backer Board
28	83209	Bracket, Support, Counter
29		Available In Service Kit Only
30	83205	Drawer, Vanity
31	83212	Available In Service Kit Only
32		Available In Service Kit Only
33		Available In Service Kit Only
34	83203	Cabinet Door, Left
35	83202	Cabinet Door, Right
36		Available In Service Kit Only
37		Available In Service Kit Only
38		Available In Service Kit Only
39		Available In Service Kit Only
40		Available In Service Kit Only
41	83643	Terminal Block, Small
42		Available In Service Kit Only
43		Available In Service Kit Only
44		Available In Service Kit Only
45	83642	Terminal Block, Large
46		Available In Service Kit Only
47		Available In Service Kit Only
48		Available In Service Kit Only
49		Available In Service Kit Only
50		Available In Service Kit Only
51	83683	Circuit Board Assembly
52		Available In Service Kit Only
53		Available In Service Kit Only
54	83382	Transformer, 75 Watt

SERVICE KITS

PART NO.	ITEM	QTY.	DESCRIPTION
83206			Mirror Assembly Kit
	1	2 ea.	Screw, #6 x 3/4"
	2	1 ea.	Valance, Vanity
	3	1 ea.	Hinge, Top, Left Door
	4	6 ea.	Screw
	5	1 ea.	Light Assembly, Left
	6	6 ea.	Screw, #8-32 x .22"
	7	2 ea.	Mirror Insert, Vanity
	8	2 ea.	Clip, Light
	9	2 ea.	Lamp, Halogen, 20 Watt
	10	4 ea.	Screw, 6-32 x 1/2" Pan Head, SM
	11	1 ea.	Clamp, Cable
	12	2 ea.	Lamp Socket, Halogen
	13	1 ea.	Hinge, Top, Right Door
	14	1 ea.	Enclosure, Electrical
	15	1 ea.	Cover
	16	4 ea.	Screw, 6-32 x 1/4" Pan Head, SM
	17	1 ea.	Enclosure, Electrical
	18	1 ea.	Terminal Block, Large
	19	2 ea.	Screw, 6-32 x 5/8" Pan Head
	20	1 ea.	Cover
	21	1 ea.	Light Assembly, Right
	22	1 ea.	Switch Assembly, Top Lights
	23	1 ea.	Switch Assembly, Side Lights
	24	1 ea.	Drawer, Box, Pull-Out
	36	1 ea.	Cube Unit
83800			Hinge Kit
	3	1 ea.	Hinge, Top, Left Door
	4	6 ea.	Screw
	13	1 ea.	Hinge, Top, Right Door
83801			Accessory Pack, Lamp
	9	2 ea.	Lamp, Halogen, 20 Watt
	25	6 ea.	Lamp, Halogen, 20 Watt
53590			Remote Electrical Box Assembly
	19	2 ea.	Screw, 6-32 x 5/8" Pan Head
	37	1 ea.	Electrical Box, Remote
	38	1 ea.	Mounting Plate, Electrical Component
	39	13 ea.	Screw, 6-32 x 1/4" Pan Head
	40	1 ea.	Mounting Clip, Terminal
	41	1 ea.	Terminal Block, Small
	42	2 ea.	Screw, 6-32 x 1/2" Pan Head
	43	1 ea.	Terminal Label, Small
	44	1 ea.	Clamp, Cable
	45	1 ea.	Terminal Block, Large
	46	1 ea.	Cover, Remote Electrical Box
	47	7 ea.	Screw, #10 Pan Head SM
	48	1 ea.	Terminal Label, Large
	49	1 ea.	Shroud, Circuit Board
	50	1 ea.	Spacer, Hex
	51	1 ea.	Circuit Board Assembly
	52	2 ea.	Spacer, Round
	53	3 ea.	Bushing, Plastic
	54	3 ea.	Transformer, 75 Watt
83802			Bracket Kit
	28	2 ea.	Bracket, Support, Counter
	29	6 ea.	Screw
83803			Drawer Guide Kit
	31	2 ea.	Drawer Guides, Left And Right
	32	4 ea.	Screw, #8 x 5/8" Pan Head
	33	4 ea.	Screw, #6 x 3/4" Phillips Flat Head

Variation and/or finish/color code may be required when ordering.

Variation and/or finish/color code may be required when ordering.