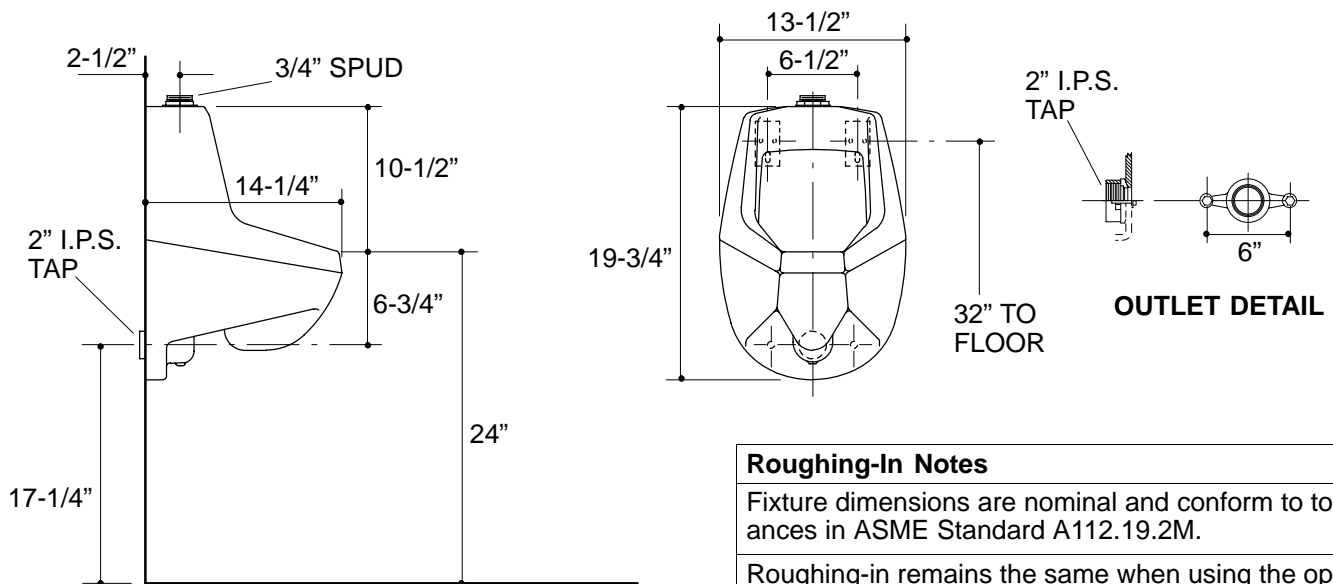


Ordering Information

Accessories/hardware:		
3" outlet spud	18773	optional

Product Information

ADA compliant.	
Fixture:	
Configuration	Top spud
Spud inlet size	3/4"
Gallons per flush	1 gallon*
*Designed to flush with one gallon of water when installed with a water saving flush valve.	
Included Components	
3/4" inlet spud	18376
2" outlet spud	18766
Hanger (2 required)	64512
Flush valve requirements: Refer to manufacturer's instructions and local codes.	



Roughing-In Notes
Fixture dimensions are nominal and conform to tolerances in ASME Standard A112.19.2M.
Roughing-in remains the same when using the optional 3" outlet spud 18773.
*Urinal complies with ADA requirement when rim is mounted no higher than 17" from finished floor.

1.25>116

K-5016-T Dexter™ Urinal
114009-1-EA (-)