

### Ordering Information

Applicable product:		
With neck jets	K-865-N	shown
Without neck jets	K-865-H1	not shown
Accessories/hardware:		
Jet trim kit	K-9696	required
Drain	K-7169-AF	required
Undermount installation kit	K-582	optional
Vinyl tiling-in bead*	K-1179	optional
*Use K-1179 vinyl bead when wall material contacts any top surface of bath.		

### Required Electrical Service

Dedicated circuit required, protected with Class A Ground-Fault Circuit-Interrupter (GFCI):	
Pump/control	120 V., 20 A, 60 Hz

### Product Information

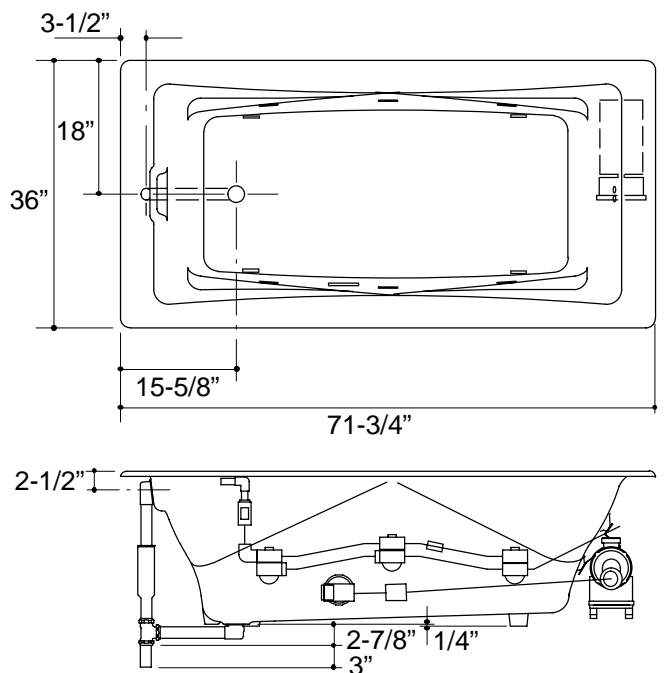
Fixture*:	basin area	top area	weight	
Bathing well	49" x 22"	62" x 28"	445 lbs.	
	water depth	capacity		
To overflow	17"	89 gals.		
* Approximate measurements for comparison only.				
Pump:	HP	V	Hz	A
1-speed	2	120	60	18.5

### INSTALLATION NOTES

#### Installation Notes

Refer to installation instructions included with fixture before beginning installation.

Each pump is supplied with a grounding type plug-in cord. Locate the outlet behind the whirlpool, and within 24" of the pump.



1.25>132

#### Roughing-In Notes

Fixture dimensions are nominal and conform to tolerances in ANSI Standard A112.19.1M.

No change in measurements if connected with drain illustrated.

Cut-out for drop-in	70-1/4" x 34-1/2"
---------------------	-------------------

Cut-out for undermount	K-582 template required
------------------------	-------------------------

Minimum access:

Pump/control	34" W x 15" H	required
--------------	---------------	----------

#### PUMP/CONTROL ACCESS

