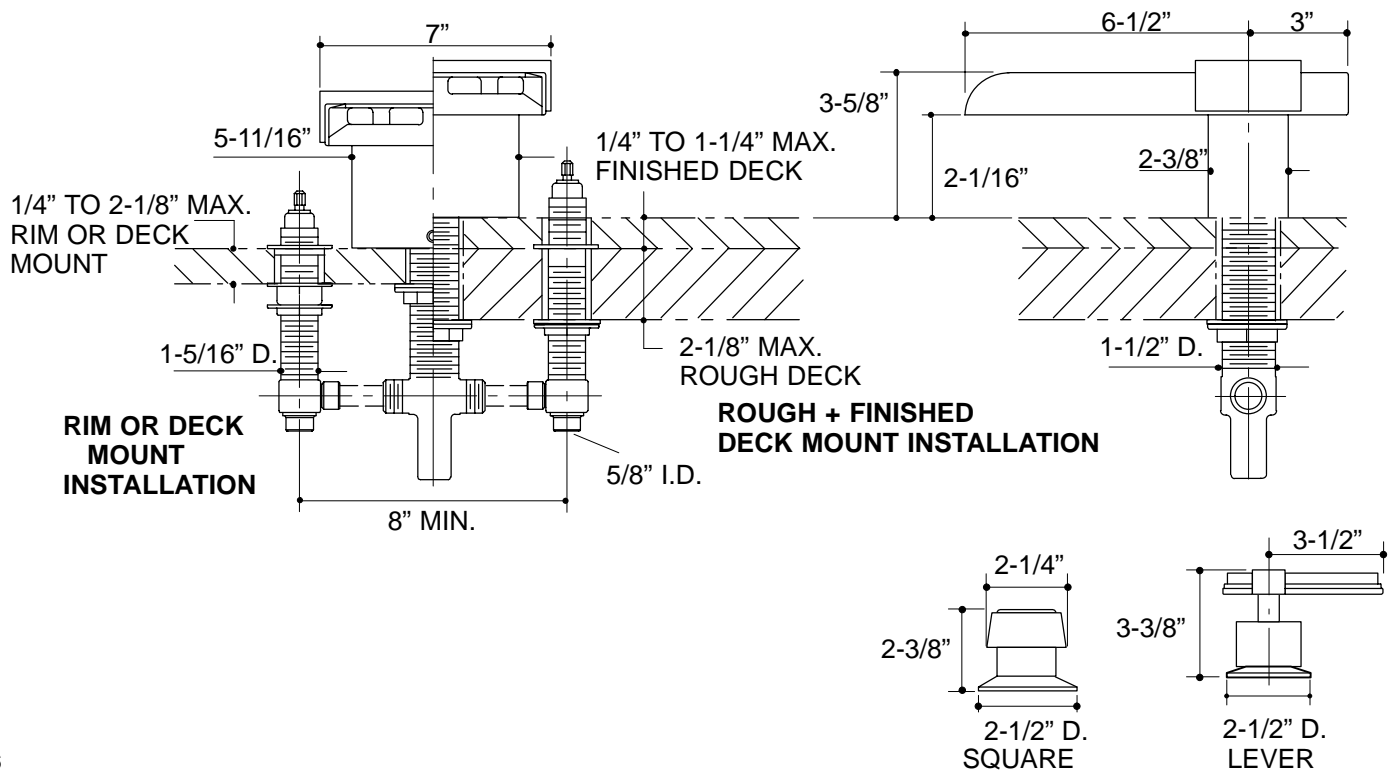


Ordering Information

Applicable faucet:	
Square handles	K-6505-2
Lever handles	K-6505-4
ADA Lever handles are ADA compliant	



316

K-6505 Alterna™ Bath Faucet
114653-1-BA (-)

KOHLER®

NOTES: