

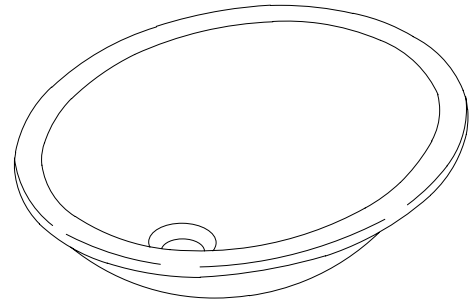
#### FEATURES

- 17" x 14"
- Vitreous china
- Glazed rim for mounting with metal frame
- With overflow
- ADA compliant

#### CODES/STANDARDS APPLICABLE

Specified model meets or exceeds the following:

- ADA
- ASME/ANSI A112.19.2M
- CABO/ANSI A117.1
- IAPMO/UPC
- Canadian Standards Association (CSA)
- State of Massachusetts



#### COLORS/FINISHES

- 0 White
- Other Refer to Fixtures Price Book for additional colors

#### Accessories:

- CP Polished Chrome
- Other Refer to Faucets Price Book for additional finishes
- NA None Applicable

#### SPECIFIED MODEL:

Model	Description	Colors/Finishes	
K-2212	17" x 14" lavatory	<input type="checkbox"/> 0 White	<input type="checkbox"/> Other_____

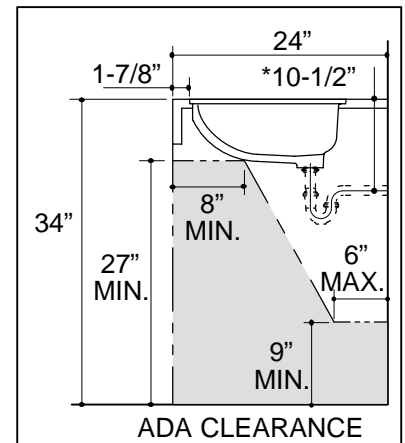
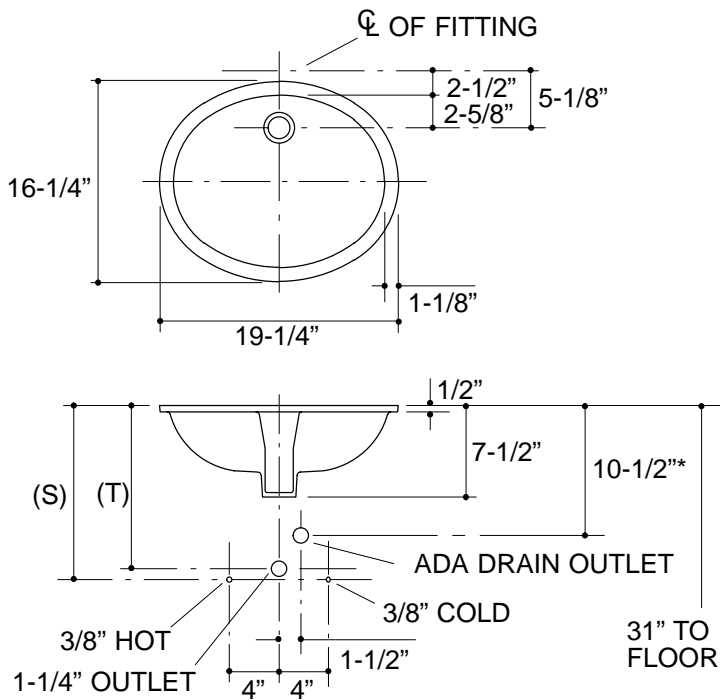
Required Accessories			
K-6686	Metal frame		<input type="checkbox"/> NA
Recommended Accessories			
K-8998	Trap	<input type="checkbox"/> CP	<input type="checkbox"/> Other_____

#### PRODUCT SPECIFICATION:

The lavatory shall be 17" in length, and 14" in width. Lavatory shall be made of vitreous china. Lavatory shall have glazed rim for mounting with metal frame (K-6686). Lavatory shall have overflow. Lavatory shall be ADA compliant. Lavatory shall be Kohler Model K-2212-\_\_\_\_\_.

## PRODUCT INFORMATION

ADA compliant.			
Fixture*:		basin area	water depth
Lavatory		17" x 14"	4"
Outlet	1-3/4" D.		
* Approximate measurements for comparison only.			



### Roughing-In Notes

\*Based on K-8998 with 1" of tailpiece exposed.

(T) Pop-up drain 13-1/8", drain 12-1/4".

(S) 14" (Based on 12" riser which may require cutting).

Cutout metal frame required.

116

## PRODUCT DIAGRAM