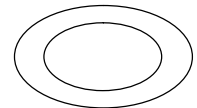
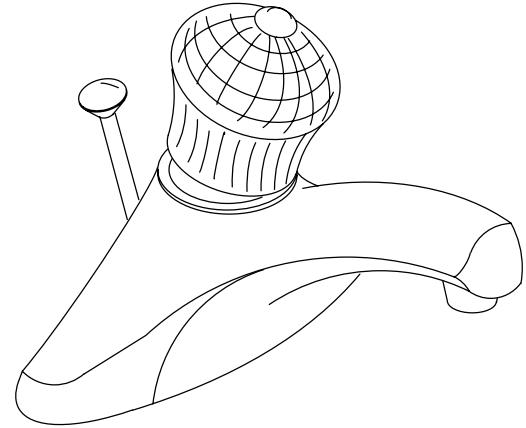


**LAVATORY FAUCET
K-15181**

FEATURES

- Metal construction
- For 4" centers
- One-piece self-contained ceramic disc valve allows both volume and temperature control
- Temperature memory allowing faucet to be turned on and off at any temperature setting
- High-temperature limit stop
- 4-1/4" spout
- Metal throatplate
- 2.0 gallons per minute
- Pop-up drain with lift rod and tailpiece
- Sculptured acrylic handle
- Optional ground joint connections and 16" long supply tubes



CODES/STANDARDS APPLICABLE

Specified model meets or exceeds the following:

- ASME/ANSI A112.18.1M
- CSA B125
- Energy Policy Act of 1992
- IAPMO/UPC
- NSF 61

COLORS/FINISHES

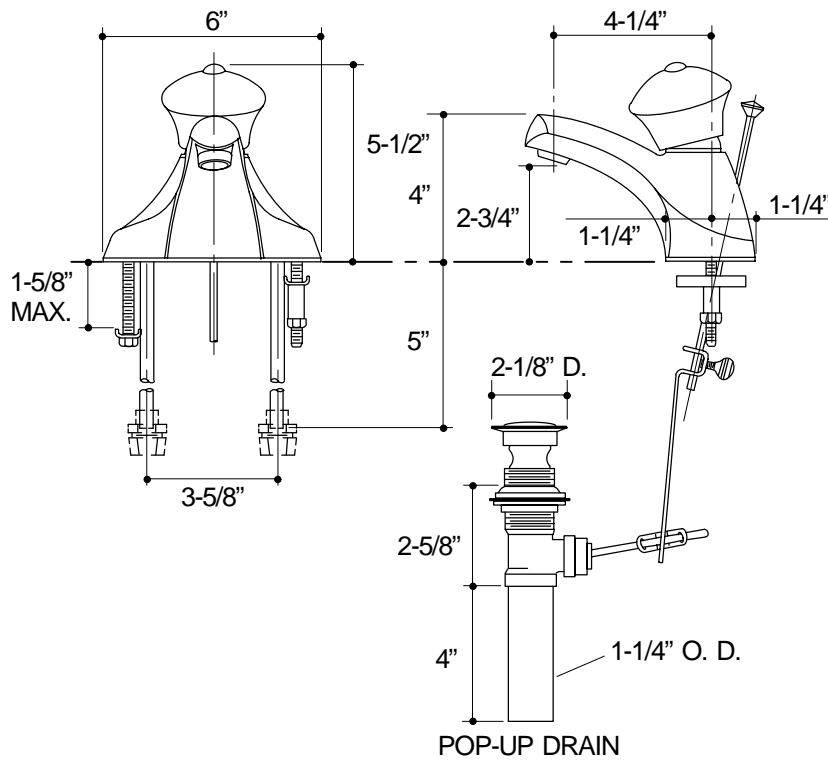
- CP Polished Chrome
- PB Polished Brass
- Other Refer to Faucets Price Book for additional finishes

SPECIFIED MODEL:

Model	Description			
K-15181	Coralais Single-Control Centerset Lavatory Faucet	<input type="checkbox"/> CP	<input type="checkbox"/> PB	
K-15181-L	With 16" Long Supply Tubes	<input type="checkbox"/> CP	<input type="checkbox"/> PB	
K-15181-P	With Ground Joint Connections	<input type="checkbox"/> CP	<input type="checkbox"/> PB	<input type="checkbox"/> Other_____

PRODUCT SPECIFICATION:

Single-control centerset lavatory faucet shall be of metal construction. The valve shall be a one-piece, self-contained ceramic disc valve, and allows both volume and temperature control. The valve shall feature temperature memory, allowing the faucet to be turned on and off at any temperature setting, and includes a high-temperature limit stop. Product shall include 4" centers, 4-1/4" spout, pop-up drain with lift rod and tailpiece, and sculptured acrylic handle. Optional features shall be 16" long supply tubes and ground joint connections. Faucet shall be Kohler Model K-15181-_____-_____.



316

PRODUCT DIAGRAM