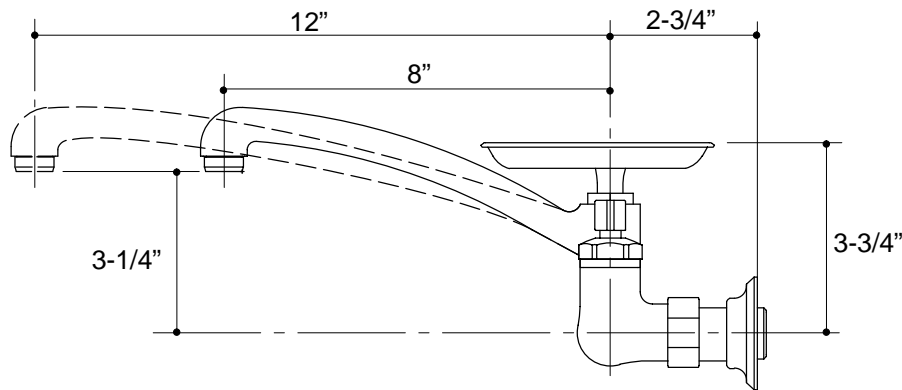
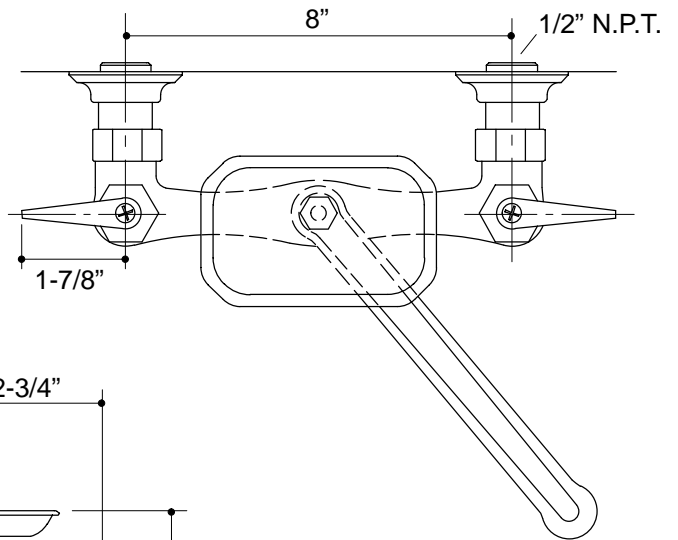


Ordering Information

Applicable faucet:	
Less soap dish:	
8" spout	K-7853
With soap dish:	
8" spout	K-7855
12" spout	K-7856
ADA Lever handles are ADA compliant	



14

K-7853, K-7855, K-7856 Clearwater™ Sink Supply Faucet
115117-1-BA (-)

NOTES: