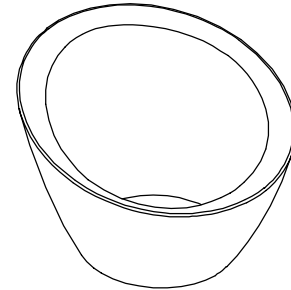


FEATURES

- 16-1/2" x 12-5/8"
- Vitreous China
- Above-the-counter
- With sealant



CODES/STANDARDS APPLICABLE

Specified model meets or exceeds the following:

- ASME/ANSI A112.19.2M
- IAPMO/UPC
- Canadian Standards Association (CSA)

COLORS/FINISHES

- 0 White
- Other Refer to Fixtures Price Book for additional colors

Accessories:

- CP Polished Chrome
- NA Not Applicable
- Other Refer to Faucets Price Book for additional finishes

SPECIFIED MODEL:

Model	Description	Colors/Finishes	
K-2271	Crucible lavatory	<input type="checkbox"/> 0 White	<input type="checkbox"/> Other_____

Recommended Accessories			
K-9018	P-trap	<input type="checkbox"/> CP	<input type="checkbox"/> Other_____
K-T196	Falling Water faucet trim with 8-1/4" spout OR	<input type="checkbox"/> CP	<input type="checkbox"/> Other_____
K-T198	Falling Water faucet trim with 10-1/4" spout	<input type="checkbox"/> CP	<input type="checkbox"/> Other_____
K-307-K	Single control ceramic valve*	<input type="checkbox"/> NA	
K-7710	Drain OR	<input type="checkbox"/> CP	<input type="checkbox"/> Other_____
K-7715	Grid drain	<input type="checkbox"/> CP	<input type="checkbox"/> Other_____

*Valve must be ordered to complete Falling Water faucet.

PRODUCT SPECIFICATION:

The lavatory shall be 16-1/2" in length, and 12-5/8" in width. Lavatory shall be made of vitreous china. Lavatory shall be above-the-counter. Lavatory shall have sealant. Lavatory shall be Kohler Model K-2271-_____.

VESSELS™

PRODUCT INFORMATION

Fixture*:		basin area	water depth
Lavatory		14" x 11"	6-1/4"
Outlet	1-3/4" D.		

Included Components:	
Adhesive sealant	81489
Cutout template	116616-7

INSTALLATION NOTES

Product does not have an overflow.

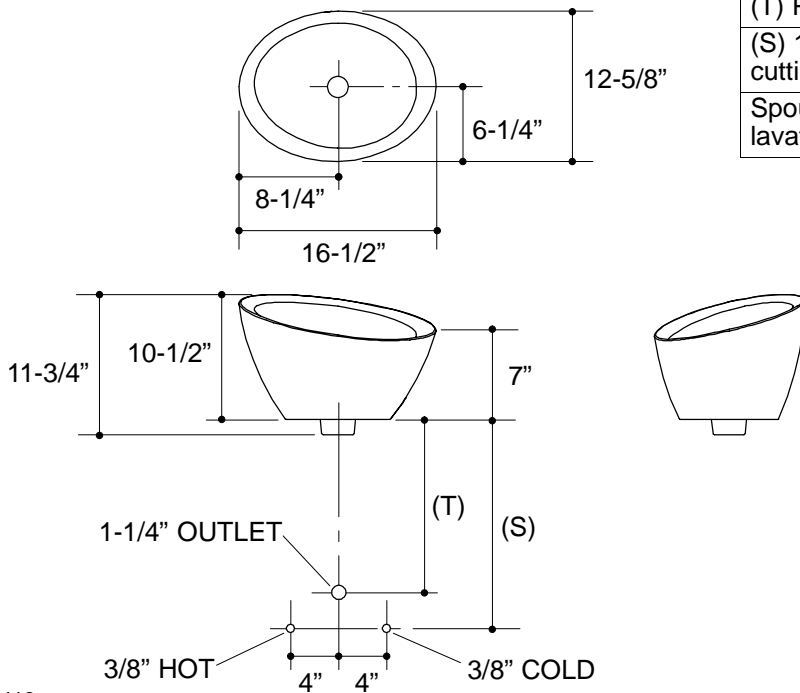
IMPORTANT: Product rests on countertop. Consider height of product when designing installation.

Roughing-In Notes

(T) Pop-up drain 14-3/8".

(S) 14" (Based on 17-3/4" riser which may require cutting).

Spout must be 8" long (min.) for adequate clearance into lavatory.



116

PRODUCT DIAGRAM