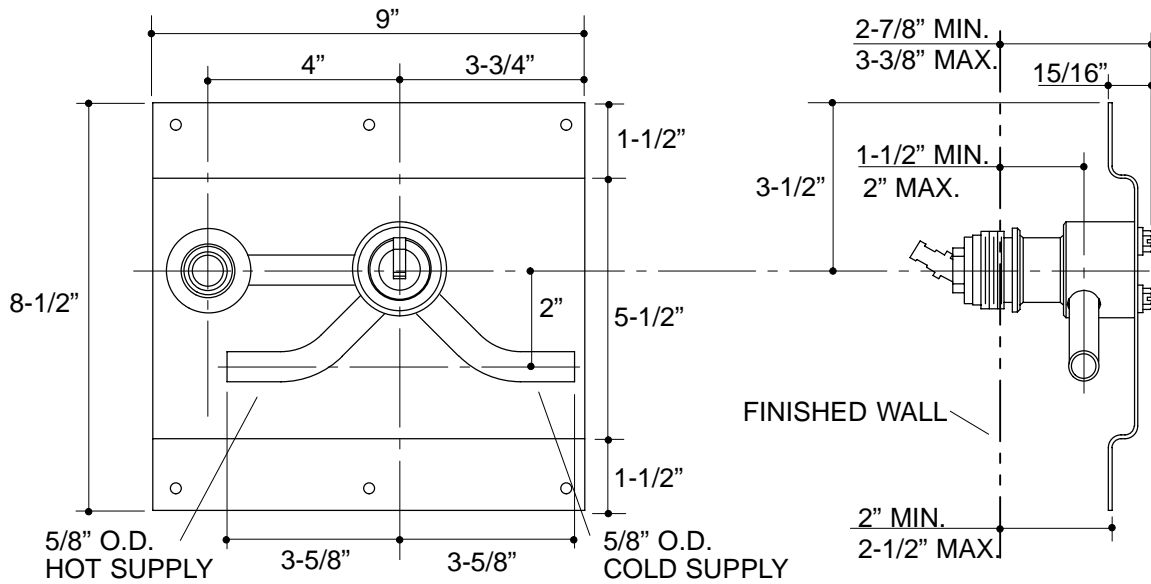


Ordering Information

Applicable valve:	
Wall-mount valve	K-307-K



Roughing-In Notes
Two 1-7/8" D. cut-out holes required for spout and handle.