

Ordering Information

Applicable product:		
Four-hole sink	K-5931-4U	shown
Accessories/hardware:		
Bottom basin rack	K-6001	optional
Wire rinse basket	K-6521	optional

Product Information

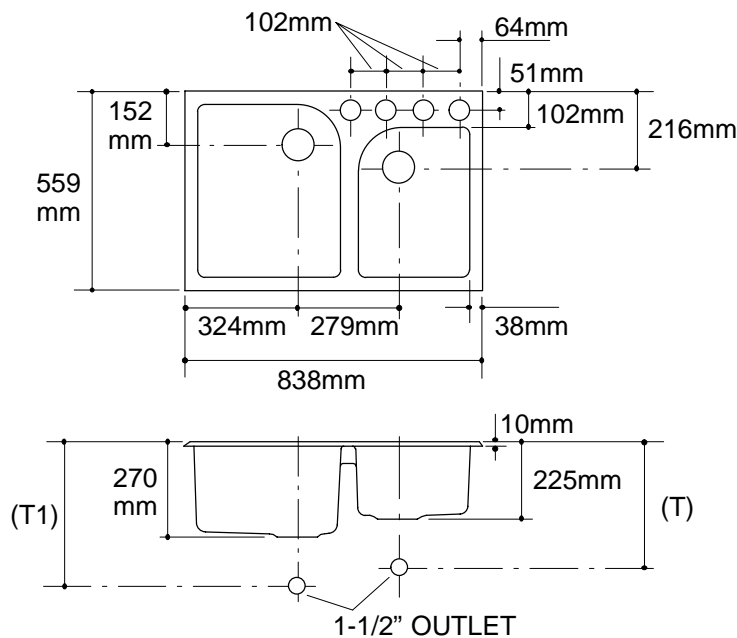
Fixture*:		basin area	water depth
Sink, small		305 x 432mm	197mm
Sink, large		406 x 483mm	248mm
Outlet	Ø92mm		
Faucet holes	Ø60mm		
* Approximate measurements for comparison only.			

Included Components:	
Cutout template	116808-7

Installation Notes

Refer to installation instructions included with fixture before beginning installation.

Roughing-In Notes
Fixture dimensions are nominal and conform to tolerances in ASME/ANSI Standard A112.19.1M.
(T) Drain typically 356mm.
(T1) Drain typically 406mm.



.75<116