

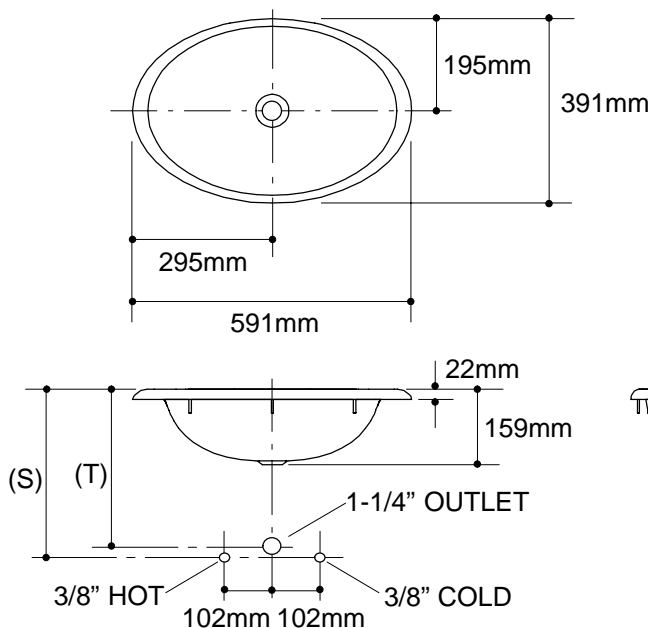
Ordering Information

Applicable product:		
Satin finish	K-2600-S	shown
Mirror finish	K-2600-M	shown
Flywheel finish	K-2600-A	shown
Formal stripe finish	K-2600-B	shown

Product Information

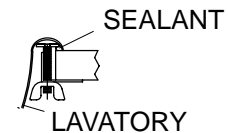
Fixture*:		basin area	water depth
Lavatory		457 x 330mm	149mm
Outlet	Ø41mm		
* Approximate measurements for comparison only.			

Included Components:	
Adhesive sealant	63034
Drain gasket	33507
Tube	62603
Basin clamp assembly	56655
Cutout template	116847-7



Roughing-In Notes

Fixture dimensions are nominal and conform to tolerances in ASME Standard A112.19.3M.
 (T) Pop-up drain 333mm.
 (S) 356mm (Based on 305mm riser which may require cutting).
 Supplied basin clamp assembly requires 19mm minimum countertop thickness. Installer must supply anchors for thinner countertops.



KIT #56655