



✓ This product is preferable to similar connectors because of a) easier installation, b) higher loads, c) lower installed cost, or a combination of these features.

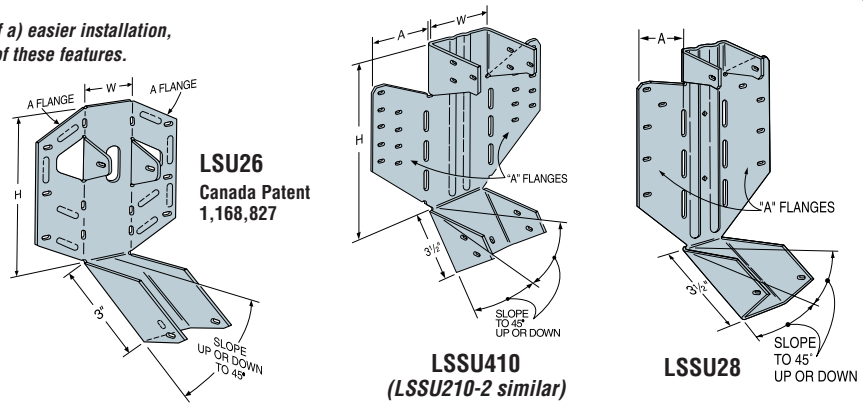
This series attach joists or rafters to headers, sloped up or down, and skewed left or right, up to 45°. **MATERIAL:** See table.

FINISH: Galvanized. Some products available in Z-MAX; see Corrosion-Resistance, page 5.

INSTALLATION: • Use all specified fasteners. See General Notes.

- Attach the sloped joist at both ends so that the horizontal force developed by the slope is fully supported by the supporting members.

CODES: See page 10 for Code Listing Key Chart.



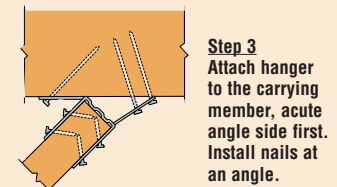
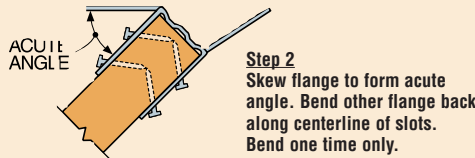
Solid Sawn Connectors

Joist Width	Model No.	Ga	Dimensions			Fasteners		Down Avg Uplift	DF/SP Species Header Allowable Loads				SPF Species Header Allowable Loads				Code Ref.	
			W	H	A	Face	Joist		Uplift ² (133)	Uplift ² (160)	Floor (100)	Roof		Uplift ² (133)	Floor (100)	Roof		
												Snow (115)	Const (125)			Snow (115)		Const (125)
Sloped Only Hangers																		
1½	LSU26	18	1⅞	4⅞	1½	6-10d	5-10dx1½	3084	485	535	665	765	800	415	575	660	690	1, 84, 140
1½	LSSU28	18	1⅞	7⅞	1½	10-10d	5-10dx1½	5800	485	535	1110	1275	1390	415	960	1105	1200	6, 38, 86, 140
1½	LSSU210	18	1⅞	8½	1⅞	10-10d	7-10dx1½	5800	730	875	1110	1275	1390	625	960	1105	1200	140
2½	LSSUH310	16	2⅞	8½	3⅞	18-16d	12-10dx1½	10179	1150	1150	2295	2295	2295	990	1930	1930	1930	160
3	LSSU210-2	16	3⅞	8½	2⅞	18-16d	12-10dx1½	10305	1150	1150	2430	2795	3035	990	2160	2485	2700	4, 37, 87
3½	LSSU410	16	3⅞	8½	2⅞	18-16d	12-10dx1½	10305	1150	1150	2430	2795	3035	990	2160	2485	2700	4, 37, 87
Skewed Hangers or Sloped and Skewed																		
1½	LSU26	18	1⅞	4⅞	1½	6-10d	5-10dx1½	3084	485	535	665	765	800	415	575	660	690	1, 84
1½	LSSU28	18	1⅞	7⅞	1½	9-10d	5-10dx1½	3197	450	450	885	885	885	415	765	765	765	6, 38, 86, 140
1½	LSSU210	18	1⅞	8½	1⅞	9-10d	7-10dx1½	4235	730	785	995	1145	1205	625	860	995	1050	140
2½	LSSUH310	16	2⅞	8½	3⅞	14-16d	12-10dx1½	6823	1150	1150	1600	1600	1600	990	1385	1385	1385	160
3	LSSU210-2	16	3⅞	8½	2⅞	14-16d	12-10dx1½	5742	1150	1150	1625	1625	1625	990	1365	1365	1365	4, 37, 87
3½	LSSU410	16	3⅞	8½														

1. Roof loads are 125% of floor loads unless limited by other criteria.

2. Uplift loads include a 33% and 60% increase for earthquake or wind loading; no further increase is allowed; reduce when other loads govern.

LSSU INSTALLATION SEQUENCE



HCP HIP CORNER PLATES

The HCP connects a rafter or joist to double top plates at a 45° angle.

MATERIAL: 18 gauge.

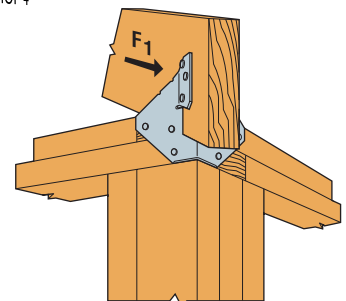
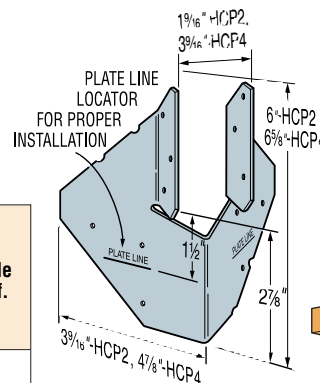
FINISH: HCP2-galvanized or Z-MAX; HCP4-galvanized.

INSTALLATION: • Use all specified fasteners. See General Notes.

- Attach HCP to double top plates; birdsmouth not required for table loads.
- Install rafter and complete nailing. Rafter may be sloped to 45°.

CODES: See page 10 for Code Listing Key Chart.

Member Size	Model No.	Fasteners		Uplift Avg Uplift	Doug-Fir-Larch/So. Pine Allowable Loads ¹		Spruce-Pine-Fir Allowable Loads ¹		Code Ref.
		To Rafters	To Plates		(133 & 160)	(133 & 160)			
		Uplift	F ₁		Uplift	F ₁			
2x	HCP2	6-10dx1½	6-10dx1½	2017	605	300	520	260	9
4x	HCP4	8-10d	8-10d	3367	1000	265	860	230	



HCP2
(HCP4 similar)
U.S. Patent 5,380,115

Typical HCP Installation

1. Loads may not be increased for short-term loading.
2. The HCP can be installed on the inside and the outside of the wall with a flat bottom chord truss and achieve twice the load capacity.
3. Uplift loads include a 33% and 60% increase for earthquake or wind loading; no further increase allowed; reduce where other loads govern.