

The HCP connects a rafter or joist to double top plates at a 45° angle.

MATERIAL: 18 gauge. **FINISH:** HCP2—galvanized or Z-MAX; **HCP4Z-ZMAX™.**

INSTALLATION: • Use all specified fasteners. See General Notes.

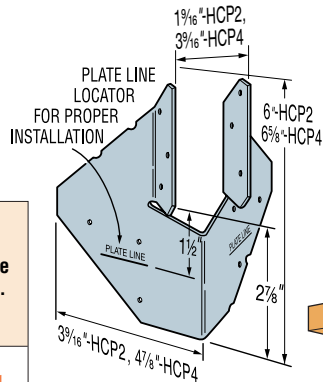
- Attach HCP to double top plates; birdsmouth not required for table loads.
- Install rafter and complete nailing. Rafter may be sloped to 45°.

CODES: See page 10 for Code Listing Key Chart.

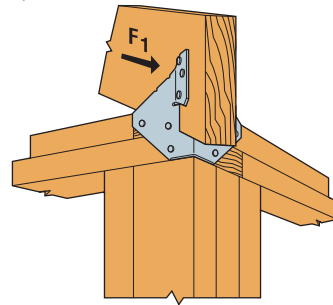
Available with additional corrosion protection. Check with factory.

Member Size	Model No.	Fasteners		Uplift Avg Ult	Doug-Fir-Larch/ So. Pine Allowable Loads ¹		Spruce-Pine-Fir Allowable Loads ¹		Code Ref.
		To Rafters	To Plates		(133 & 160)		(133 & 160)		
					Uplift	F ₁	Uplift	F ₁	
2x	HCP2	6-10dx1½	6-10dx1½	2017	605	300	520	260	9,
4x	HCP4Z	8-10d	8-10d	3367	1000	265	860	230	121

1. Loads may not be increased for short-term loading.
2. The HCP can be installed on the inside and the outside of the wall with a flat bottom chord truss and achieve twice the load capacity.
3. Uplift loads include a 33% and 60% increase for earthquake or wind loading; no further increase allowed; reduce where other loads govern.



HCP2
(HCP4Z similar)
U.S. Patent 5,380,115



Typical HCP Installation