



This product is preferable to similar connectors because of a) easier installation, b) higher loads, c) lower installed cost, or a combination of these features.

EGQ hanger is a high capacity top flange connector designed for use with Structural Composite Lumber beams. It utilizes Simpson Strong-Drive screws to make installation fast and easy with no drilling required. Available in standard SCL widths and made to specified heights. SDS screws are included.

**MATERIAL:** Top flange—3 gauge; Stirrups—7 gauge

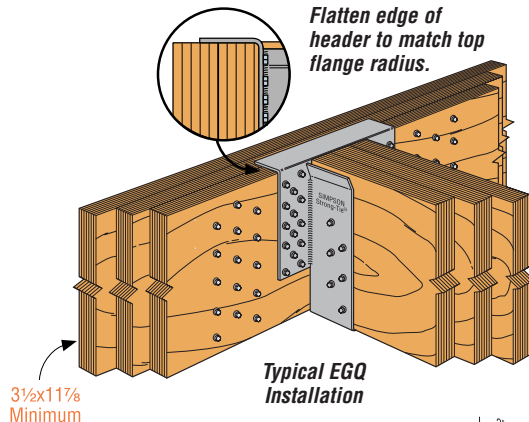
**FINISH:** Simpson gray paint

**INSTALLATION:** • Use all specified fasteners. See General Notes.

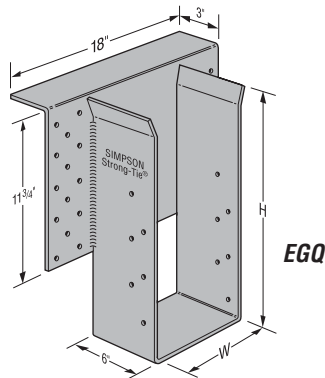
- Install with Simpson code recognized SDS1/4x3 wood screws, which are provided with the EGQ. (Lag screws will not achieve the same load.)
- All multiple members must be fastened together to act as a single unit.
- Multiple member headers may require additional fasteners at hanger locations. Quantity and location to be determined by designer. See SDS section for additional information, and SDS screws applications.

**OPTIONS:** No modification available.

**CODES:** See page 10 for Code Listing Key Chart.



Model No.	Joist or Purlin Size	Dimensions		Fasteners		Down Avg Ult	Allowable Loads			Code Ref.
		W	Min H	Header	Joist		Uplift (133)	(DF/SP) LVL	PSL	
EGQ3.62-SDS3	3 1/2	3 3/8	11 1/4	28-SDS 1/4x3	12-SDS 1/4x3	59595	6365	19800	18680	160
EGQ5.50-SDS3	5 1/4	5 1/2	11 1/4	28-SDS 1/4x3	12-SDS 1/4x3	59595	6365	19800	18680	
EGQ7.25-SDS3	7	7 1/4	11 1/4	28-SDS 1/4x3	12-SDS 1/4x3	59595	6365	19800	18680	



1. Loads are based on 750 psi wood bearing for SCL.

2. "Min H" is the minimum H dimension that may be specified.