



Store #082
4301 South Main Street
La Place, LA 70068

Permit Drawing
10.25.19
0.1



SITE LAYOUT | AERIAL VIEW



- A Mid Rise System
- B Building Branding



A2 Replace Flex faces with NEW image.

Vacuum Formed Face w/Cabinet

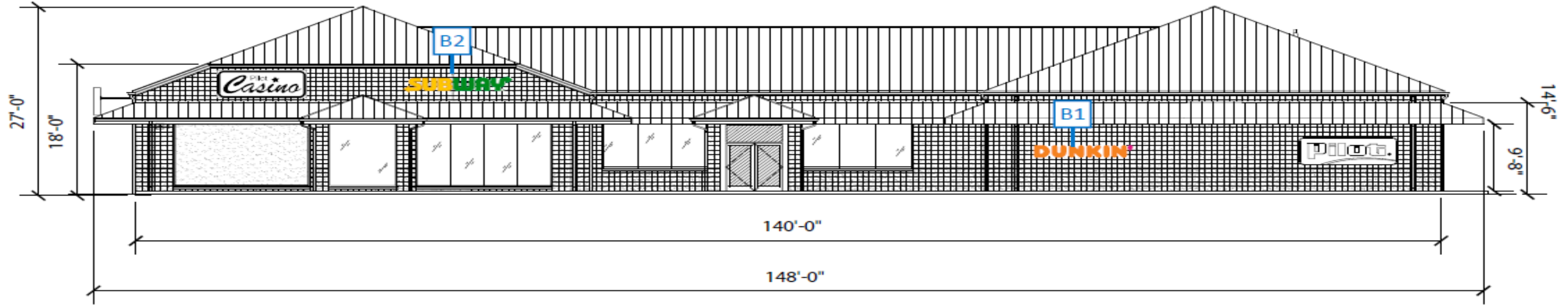
Sign Body to be Constructed out of 10" Stackable Extruded Aluminum Frame
 One Side to be Hingable for Service
 Cabinets and Retainers to be Painted Semi-Gloss Black
 Sign to Illuminate with 5000K Color Temperature LED modules, Spaced typical 3 per Ft. on 6" Centers. Powered with Multi Tap Power Supplies
 Faces to be Vacuum Formed out of 3/16" Solar Grade Polycarbonate
 Second surface applied graphics to be Printed for Back Lit application (preferred Color/White/Color Process) on 3M U3650-114 Clear Vinyl with 3M 8519 Luster Overlamine

?? Sq. Ft. | Boxed Measured

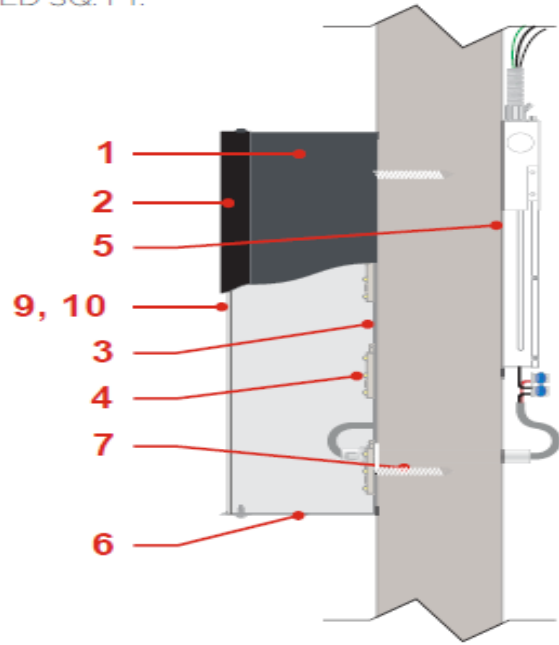
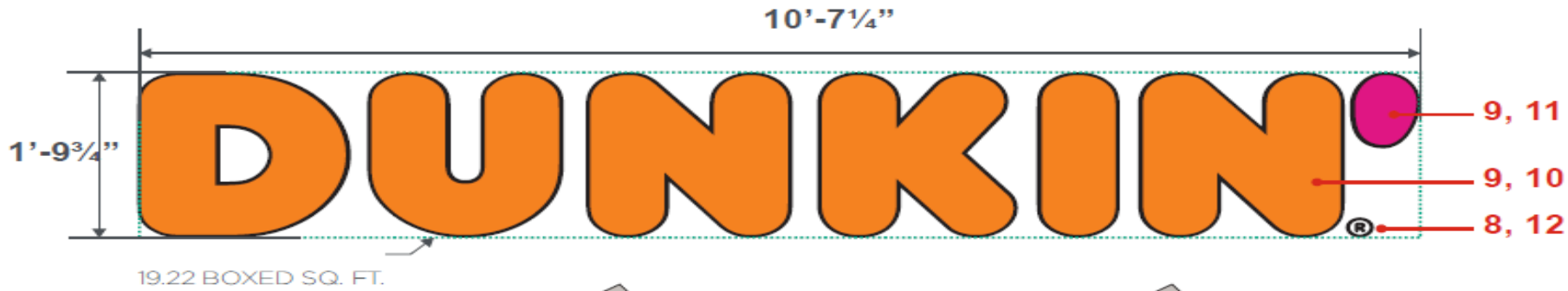
C1	Pantone 7548 C	C3	Pantone 2426	C5	100% White
C2	3M Trans 3630-75 Yellow	C4	3M Trans 3630-156 Vivid Green	C6	100% Black



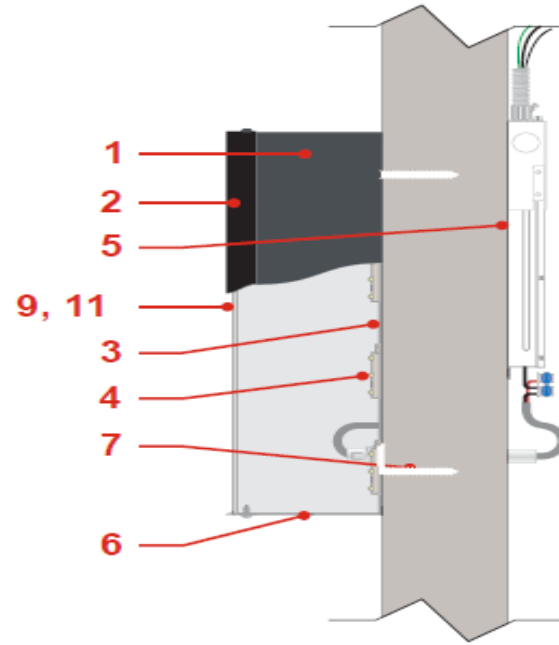
- B1 Remove existing Pilot Sign & install NEW SF Dunkin' channel letter set
- B2 NEW SF Subway channel letter set on raceway.



*This sign is to withstand 130mph wind load.
 *This sign will contain a UL label.
 *This sign will be installed using 3/8" thru-bolts or appropriate sized fasteners as necessary.



"DUNKIN" CROSS SECTION



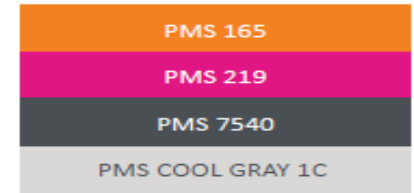
APOSTROPHE (') CROSS SECTION

B1 Remove existing Pilot Sign & install NEW SF Dunkin channel letter set

1. .05" x 5" Aluminum returns painted to match PMS 7540
2. 1" Black trim cap
3. .063" Aluminum backs
4. GE Tetra MAX 7100K White LED's (or GE replacement equivalent)
5. Remote power supplies as required
6. Drain holes as required
7. Mounting Hardware as determined by site conditions
8. .063" Aluminum disk painted white
9. 1/8" 2447 white acrylic face
10. 3M 3630-3123 Orange translucent film 1st surface
11. 3M 3630-1379 Magenta translucent film 1st surface
12. 3M 7725-41 Gray translucent film 1st surface

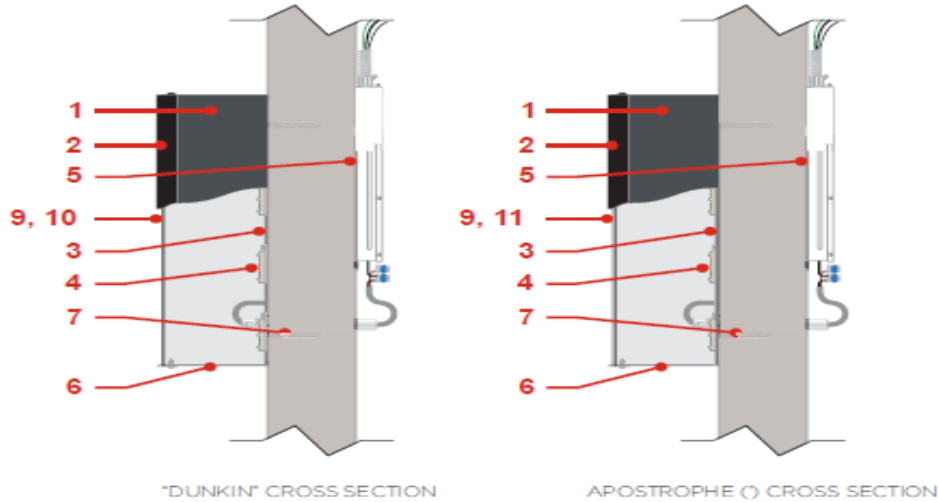
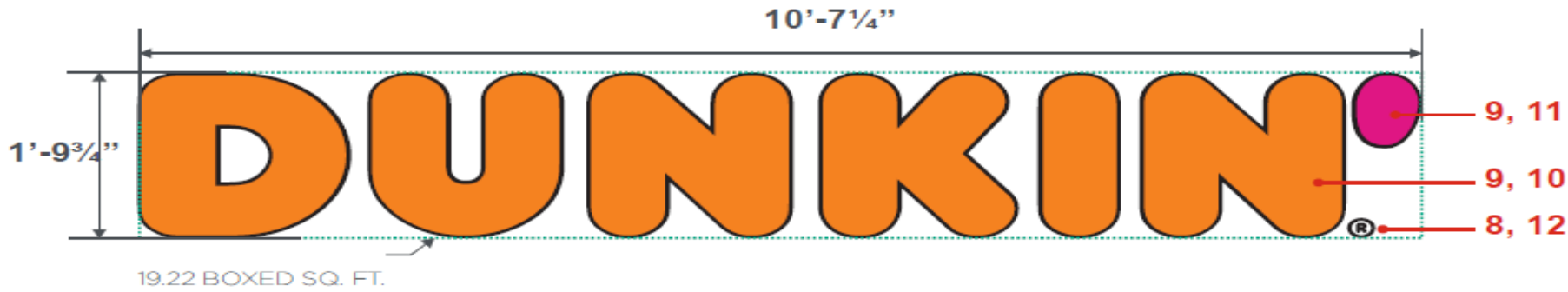
NOTES:
 Channel letter interiors painted reflective white
 U.L. Listed

* LED's to be populated for even & consistent lighting without hot spots or shadows



DAMMON
 ENGINEERING, INC.
 L O U I S I A N A & M I S S I S S I P P I
 2104 Progress Drive, Montgomeryville, PA 18936 | 610-261-1855 | www.dammonengineering.com

*This sign is to withstand 130mph wind load.
 *This sign will contain a UL label.
 *This sign will be installed using 3/8" thru-bolts or appropriate sized fasteners as necessary.



NOTE: DUNKIN' to be flush mounted directly to wall.
 Mounting pattern to be supplied.
 Use appropriate hardware from fastener schedule for substrate.

B1 Remove existing Pilot Sign & install NEW SF Dunkin channel letter set

1. .05" x 5" Aluminum returns painted to match PMS 7540
2. 1" Black trim cap
3. .063" Aluminum backs
4. GE Tetra MAX 7100K White LED's (or GE replacement equivalent)
5. Remote power supplies as required
6. Drain holes as required
7. Mounting Hardware as determined by site conditions
8. .063" Aluminum disk painted white
9. 1/8" 2447 white acrylic face
10. 3M 3630-3123 Orange translucent film 1st surface
11. 3M 3630-1379 Magenta translucent film 1st surface
12. 3M 7725-41 Gray translucent film 1st surface

NOTES:
 Channel letter interiors painted reflective white
 U.L. Listed

* LED's to be populated for even & consistent lighting without hot spots or shadows



*This sign is to withstand 130mph wind load.
 *This sign will contain a UL label.
 *This sign will be installed using 3/8" thru-bolts or appropriate sized fasteners as necessary.



1/4" = 1'-0"

21.31 BOXED SQ. FT.

B2 NEW SF Subway channel letter set on raceway.

**27 3/4" LED Channel Letter Set
 Yellow/Green**

Specifications (SUB):

5" Deep Letter
 Agilight Pro260-50K LED Modules
 Aluminum returns factory paint sprayed
 Pantone 7548 Yellow

7328 White Acrylic Face w/factory paint sprayed Pantone 7548 Yellow Trim Cap
 3630-75 Yellow vinyl w/3M 3660M Over Laminate

Specifications (WAY):

5" Deep Letter
 Agilight ProCLR-GRN-285 Green LED Modules
 Aluminum returns factory paint sprayed
 Pantone 2426 Green

7328 White Acrylic Face w/factory paint sprayed Pantone 2426 Green Trim Cap
 3630-156 Vivid Green vinyl w/3M 3660M Over Laminate

Specifications (®):

3630-150 Vivid Green vinyl decal on clear polycarbonate placard attached to "Y" letter back

31.35 Sq. Ft. | Boxed Measured

C1	Pantone 7548 C	C3	Pantone 2426
C2	3M Trans 3630-75 Yellow	C4	3M Trans 3630-156 Vivid Green



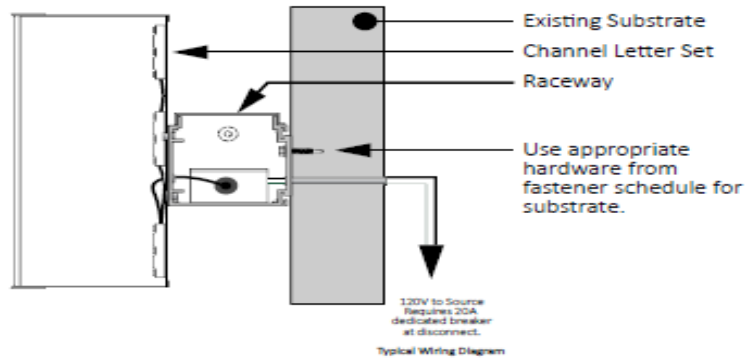
BAM

DAMMON
 ENGINEERING, INC.
 L O U I S I A N A M I S S I S S I P P I
 8100 LA 10125 TEL: 985-644-5900 FAX: 985-644-5900 www.dammonengineering.com info@dammonengineering.com

Colors and features are for representational purposes only.
 Copyright © Integrated Image 2019.
 All Rights Reserved. No part of this drawing may be reproduced without Integrated Image's express consent.



*This sign is to withstand 130mph wind load.
 *This sign will contain a UL label.
 *This sign will be installed using 3/8" thru-bolts or appropriate sized fasteners as necessary.



NOTE: SUBWAY comes pre-assembled to raceway with pop-rivets. Mounting tabs are fabricated to the raceway for easy mounting. Use appropriate hardware from fastener schedule for substrate.

B2 NEW SF Subway channel letter set on raceway.

27 3/4" LED Channel Letter Set Yellow/Green

Specifications (SUB):

- 5" Deep Letter
- Agilight Pro260-50K LED Modules
- Aluminum returns factory paint sprayed
- Pantone 7548 Yellow
- 7328 White Acrylic Face w/factory paint sprayed Pantone 7548 Yellow Trim Cap
- 3630-75 Yellow vinyl w/3M 3660M Over Laminate

Specifications (WAY):

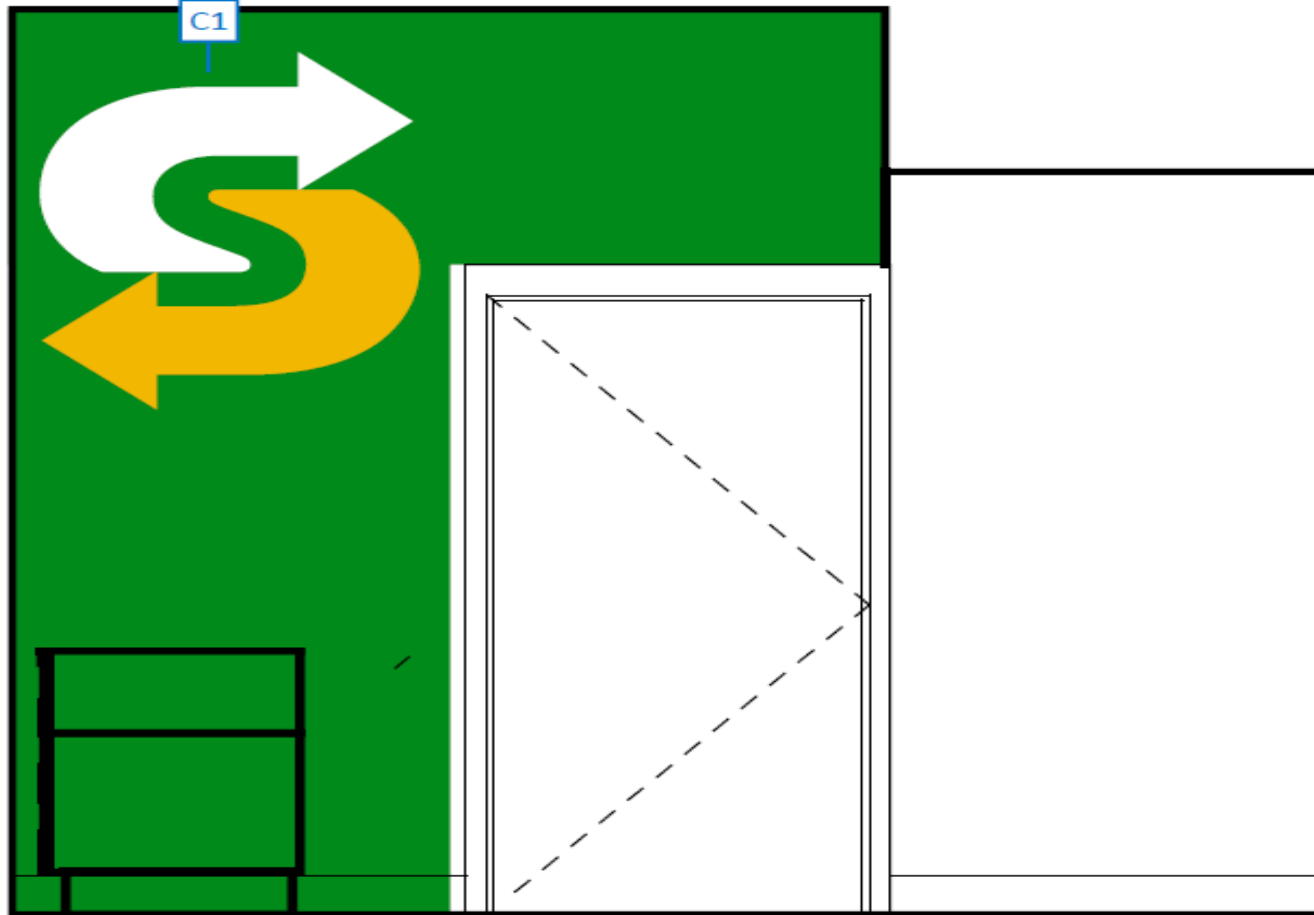
- 5" Deep Letter
- Agilight ProCLR-GRN-285 Green LED Modules
- Aluminum returns factory paint sprayed
- Pantone 2426 Green
- 7328 White Acrylic Face w/factory paint sprayed Pantone 2426 Green Trim Cap
- 3630-156 Vivid Green vinyl w/3M 3660M Over Laminate

Specifications (®):

- 3630-150 Vivid Green vinyl decal on clear polycarbonate placard attached to "Y" letter back

31.35 Sq. Ft. | Boxed Measured





C1 NEW SF "S" by Pilot. Installation only.



DAMMON
ENGINEERING, INC.

LOUISIANA & MISSISSIPPI
SHREVEPORT, LA 70506 | PHONE: 985-641-5852 | FAX: 985-641-5850 | WWW.DAMMONENGINEERING.COM | INFO@DAMMONENGINEERING.COM

