

SLB - New Orleans

Interior and Exterior Sign Package



901 Saint Charles Ave., New Orleans, LA 70130



A **Comet** SIGNS COMPANY

Job Name:

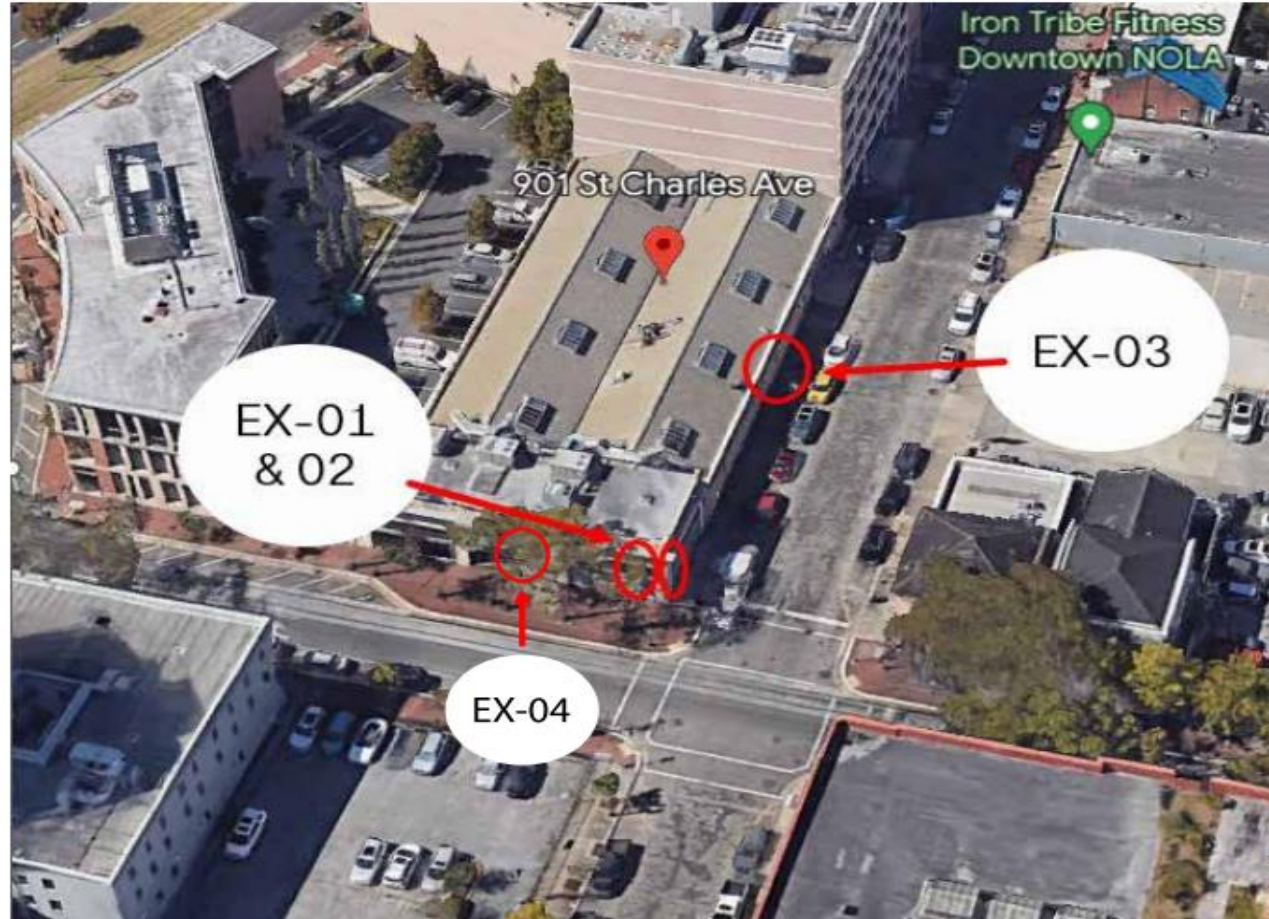
**SLB
New Orleans**

Proposal Drawing
 Final Drawing

Client: Modulex A/S
Location: 901 Saint Charles Ave, New Orleans, LA 70130

Salesperson: Grady Brown
Prj. Mngr.: Rachel Moore
Date: 11/07/2023
Designer: Eric Martin
File Name: 23-3191 SLB, New Orleans pkg FINAL.cdr
Proposal #: 76492 (23-3191 R1)
Job #: 23-3191

Revisions (R1/R2/R3) - (Initials) - Date
J#: 11/14/23:EM: survey info
R1: 11/15/23:EM: add'l info



A Comet Signs COMPANY

TDLR #: 18010
MET #: E113766
7630 Hansen Road
Houston, TX 77061
(713) 943-1831



THIS DRAWING IS THE EXCLUSIVE PROPERTY OF COMET SIGNS, LLC. ANY USE OR REPRODUCTION OF THIS DRAWING WITHOUT WRITTEN AUTHORIZATION FROM COMET SIGNS, LLC IS STRICTLY PROHIBITED. OWNERSHIP AND COPYRIGHT IS RETAINED IN ACCORDANCE WITH U.S. AND INTERNATIONAL TRADEMARK / COPYRIGHT LAWS.



CUSTOMER APPROVAL

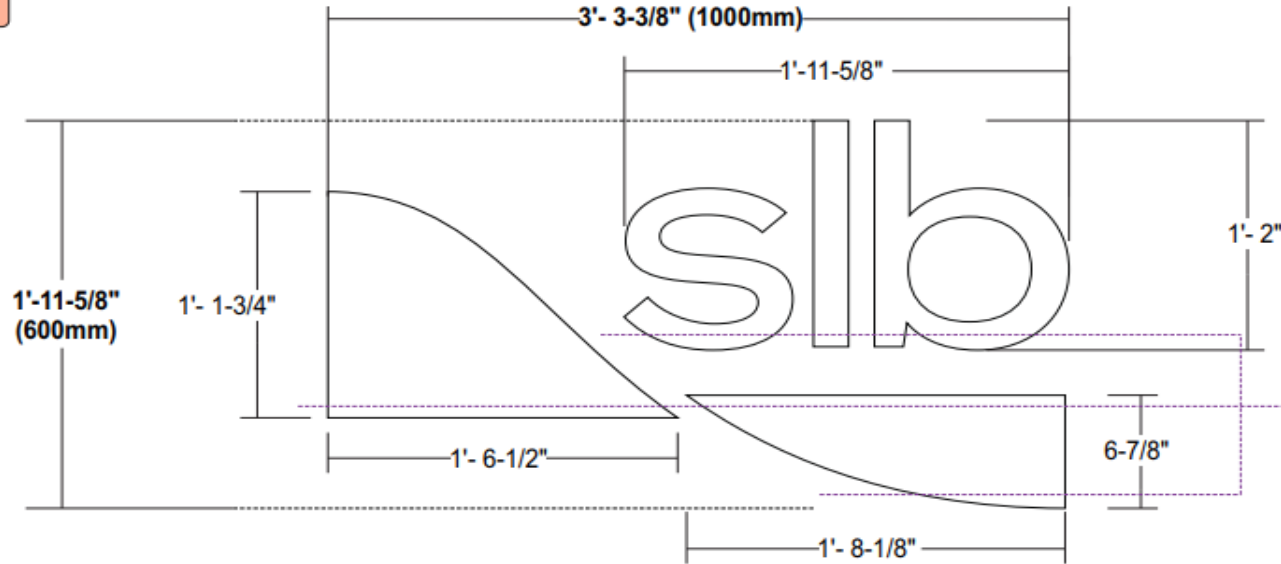
APPROVED BY: _____ DATE: ____ / ____ / ____

EX-01
EX-02

FACE LIT CHANNEL LETTERS

Scale: 1 1/2" = 1'-0"

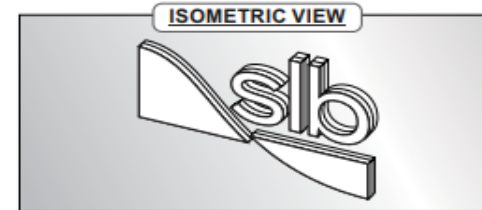
6.45 square feet



POWER INLET LOCATIONS ON BACKS OF LETTERS TO BE ON THE LOWEST AREAS OF BACKS



END VIEW



ISOMETRIC VIEW

SIMULATED NIGHT VIEW



SCOPE OF WORK

FABRICATE AND INSTALL **TWO (2)** SETS OF FACE-LIT CHANNEL LETTERS:

- 3" WHITE ALUMINUM RETURNS
- 3/4" WHITE JEWELITE
- .125" #7328 WHITE ACRYLIC FACES
- 3mm WHITE ACM BACKS
- ILLUMINATED with WHITE P-LED STREET FIGHTER CHOICE LEDs
- INDIVIDUALLY MOUNTED FLUSH TO TILT WALL
- REMOTE POWER SUPPLY, SIGN WILL REQUIRE FIVE (5) POWER PENETRATIONS PER SIGN.
- TIMER FOR LIGHTING BY OTHERS

Electrical Notes: All electrical components to be UL approved Customer is responsible for one (1) 120v/20a dedicated circuit with ground per sign within 6' of sign Lock out switch installed at panel box for all electrical signs Install in accordance with N.E.C. article 600 and/or local codes. This includes proper grounding and bonding of signs

ELECTRICAL LOAD (PER SIGN)

No. Circuits: **One (1) 120V/20A**
AMPS: **1.1** KVA: **.132**

CUSTOMER APPROVAL

APPROVED BY: _____ DATE: ____ / ____ / ____



Job Name:

**SLB
New Orleans**

Proposal Drawing
 Final Drawing

Client: Modulex A/S
Location: 901 Saint Charles Ave, New Orleans, LA 70130

Salesperson: Grady Brown
Prj. Mngr.: Rachel Moore
Date: 11/07/2023
Designer: Eric Martin
File Name: 23-3191 SLB, New Orleans pkg FINAL.cdr
Proposal #: 76492 (23-3191 R1)
Job #: 23-3191

Revisions (M/D/Y)-(Initials): desc.
J#:11/14/23:EM: survey info
R1:11/15/23:EM: addt'l info



A Comet Signs COMPANY

TDLR #: 18010
MET #: E113766
7630 Hansen Road
Houston, TX 77061
(713) 943-1831



THIS DRAWING IS THE EXCLUSIVE PROPERTY OF COMET SIGNS, LLC. ANY USE OR REPRODUCTION OF THIS DRAWING WITHOUT WRITTEN AUTHORIZATION FROM COMET SIGNS, LLC IS STRICTLY PROHIBITED. OWNERSHIP AND COPYRIGHT IS RETAINED IN ACCORDANCE WITH U.S. AND INTERNATIONAL TRADEMARK / COPYRIGHT LAWS.

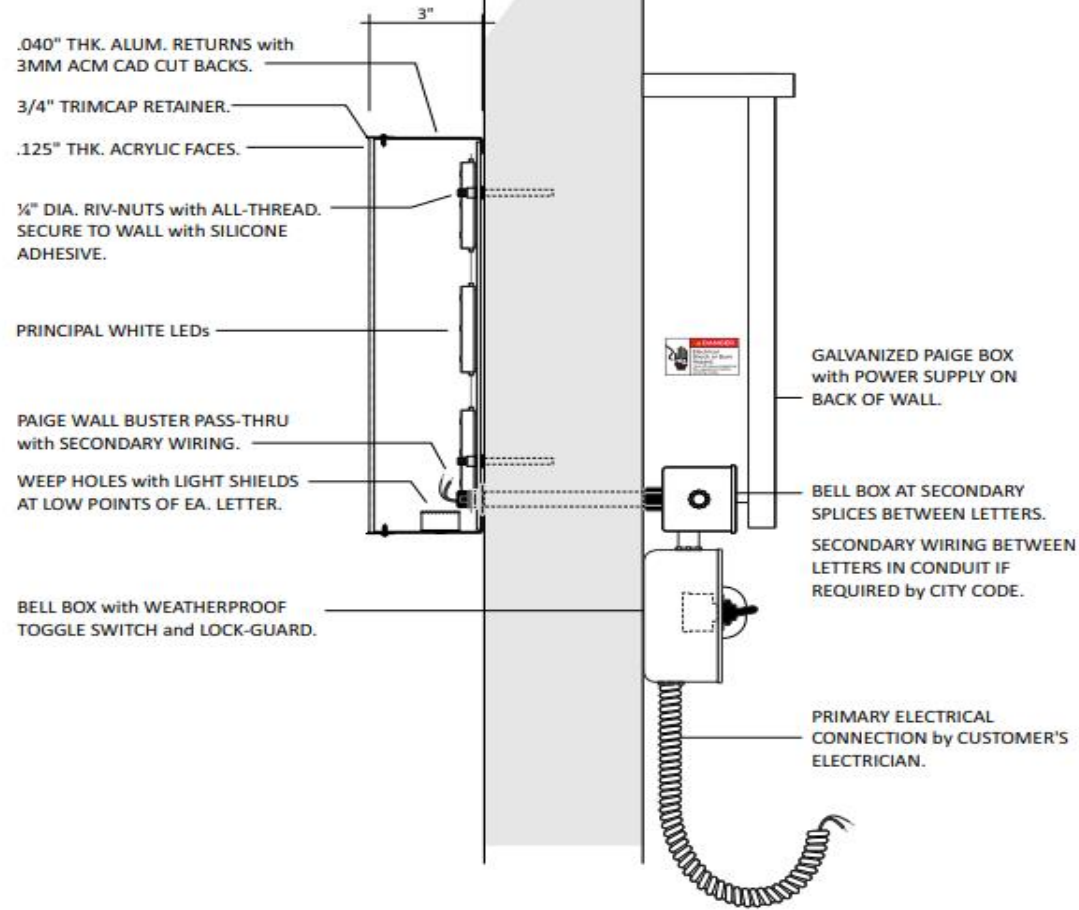
Job Name:

**SLB
New Orleans**

Proposal Drawing
 Final Drawing

Client: Modulex A/S
Location: 901 Saint Charles Ave, New Orleans, LA 70130
Salesperson: Grady Brown
Prj. Mngr.: Rachel Moore
Date: 11/07/2023
Designer: Eric Martin
File Name: 23-3191 SLB, New Orleans pkg FINAL.cdr
Proposal #: 76492 (23-3191 R1)
Job #: 23-3191

Revisions (W/D/T)-(initials): desc.
J#:11/14/23:EM: survey info
R1:11/15/23:EM: add'l info



Carling Technologies
SWITCH PLATE ON-OFF 15/32
Mfr. Part #: 272-07293



SECTION (VERT) 3" = 1'-0"
FLUSH MOUNT



CUSTOMER APPROVAL

APPROVED BY: _____ DATE: ____ / ____ / ____

S STATE SIGN

A Comet SIGN COMPANY

TDLR #: 18010
MET #: E113766
7630 Hansen Road
Houston, TX 77061
(713) 943-1831



THIS DRAWING IS THE EXCLUSIVE PROPERTY OF COMET SIGNS LLC. ANY USE OR REPRODUCTION OF THIS DRAWING WITHOUT WRITTEN AUTHORIZATION FROM COMET SIGNS, LLC, IS STRICTLY PROHIBITED. OWNERSHIP AND COPYRIGHT IS RETAINED IN ACCORDANCE WITH U.S. AND INTERNATIONAL TRADEMARK / COPYRIGHT LAWS.

EX-01

ELEVATION RENDERINGS

© 2023 Comet Signs

EX-02



PROPOSED - SCALE: 3/32" = 1'



PROPOSED - SCALE: 3/32" = 1'

Job Name:

**SLB
New Orleans**

Proposal Drawing
 Final Drawing

Client: Modulex A/S
Location: 901 Saint Charles Ave, New Orleans, LA 70130

Salesperson: Grady Brown
Prj. Mngr.: Rachel Moore
Date: 11/07/2023
Designer: Eric Martin
File Name: 23-3191 SLB, New Orleans pkg FINAL.cdr
Proposal #: 76492 (23-3191 R1)
Job #: 23-3191

Revisions (P/D/R)-(initials)-date
J#:11/14/23:EM: survey info
R1:11/15/23:EM: addt'l info



S STATE SIGN

A Comet Signs COMPANY

TDLR #: 18010
MET #: E113766
7630 Hansen Road
Houston, TX 77061
(713) 943-1831



DAMMON

THIS DRAWING IS THE EXCLUSIVE PROPERTY OF COMET SIGNS, LLC. ANY USE OR REPRODUCTION OF THIS DRAWING WITHOUT WRITTEN AUTHORIZATION FROM COMET SIGNS, LLC IS STRICTLY PROHIBITED. OWNERSHIP AND COPYRIGHT IS RETAINED IN ACCORDANCE WITH U.S. AND INTERNATIONAL TRADEMARK / COPYRIGHT LAWS.

CUSTOMER APPROVAL

APPROVED BY: _____ DATE: ____ / ____ / ____



SCOPE OF WORK

INSTALL ONLY.

PANEL SIGN FROM CUSTOMER WILL COME WITH FASTENERS AND INSTALL INSTRUCTIONS.



CUSTOMER APPROVAL

APPROVED BY: _____ DATE: ____ / ____ / ____



EXISTING



PROPOSED - SCALE: 1/4" = 1'

Job Name:

**SLB
New Orleans**

Proposal Drawing
 Final Drawing

Client: Modulex A/S
Location: 901 Saint Charles Ave, New Orleans, LA 70130

Salesperson: Grady Brown
Prj. Mngr.: Rachel Moore
Date: 11/07/2023
Designer: Eric Martin
File Name: 23-3191 SLB, New Orleans pkg FINAL.cdr
Proposal #: 76492 (23-3191 R1)
Job #: 23-3191

Revisions (M/D/Y)-(initials)-desc.
J#:11/14/23-EM: survey info
R1:11/15/23-EM: addt'l info



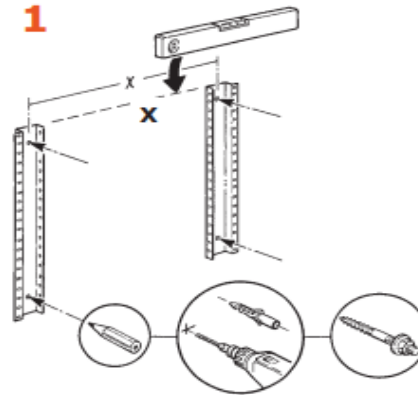
A Comet Signs COMPANY

TDLR #: 18010
MET #: E113766
7630 Hansen Road
Houston, TX 77061
(713) 943-1831

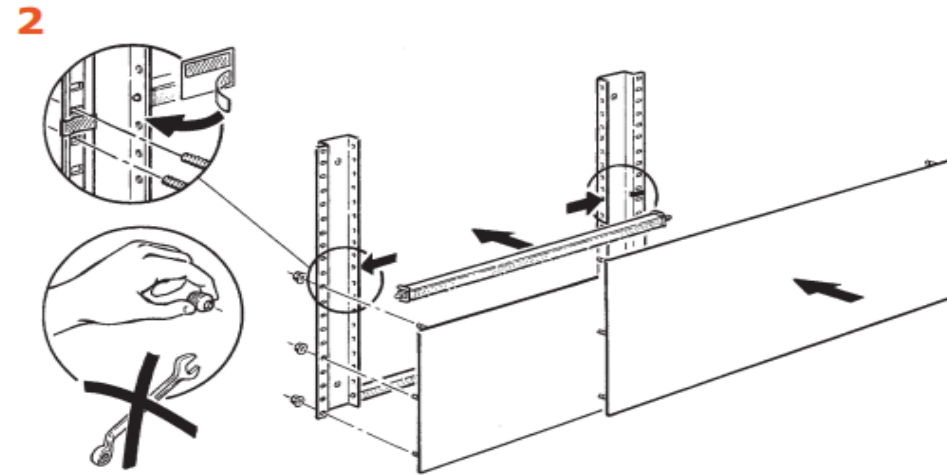


THIS DRAWING IS THE EXCLUSIVE PROPERTY OF COMET SIGNS, LLC. ANY USE OR REPRODUCTION OF THIS DRAWING WITHOUT WRITTEN AUTHORIZATION FROM COMET SIGNS, LLC IS STRICTLY PROHIBITED. OWNERSHIP AND COPYRIGHT IS RETAINED IN ACCORDANCE WITH U.S. AND INTERNATIONAL TRADEMARK / COPYRIGHT LAWS.

Site Entrance Identifier Wall Panel



W	X
3' / 900 mm	2'4.70" / 729 mm



Job Name:

**SLB
New Orleans**

Proposal Drawing
 Final Drawing

Client: Modulex A/S
Location: 901 Saint Charles Ave., New Orleans, LA 70130

Salesperson: Grady Brown
Pri. Mngr.: Rachel Moore
Date: 11/07/2023
Designer: Eric Martin
File Name: 23-3191 SLB, New Orleans pkg FINAL.cdr
Proposal #: 76492 (23-3191 R1)
Job #: 23-3191

Revisions (M/D/Y)-(Initials): desc.
R#:11/14/23:EM: survey info
R1:11/15/23:EM: addt1 info



TDLR #: 18010
MET #: E113766
7630 Hansen Road
Houston, TX 77061
(713) 943-1831

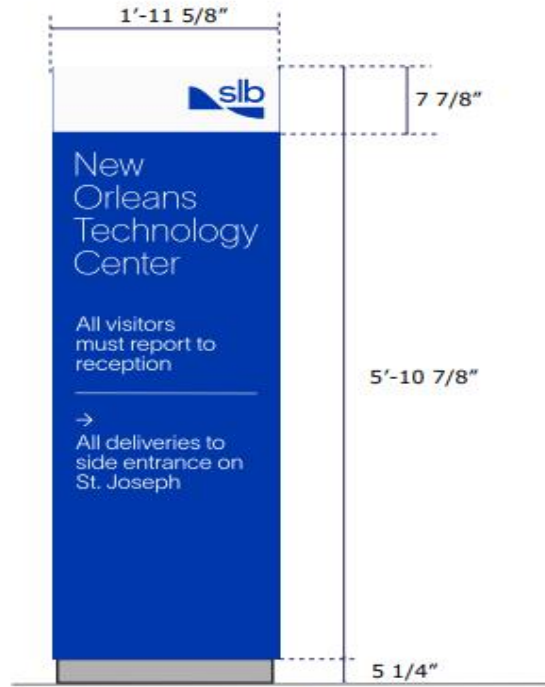


THIS DRAWING IS THE EXCLUSIVE PROPERTY OF COMET SIGNS, LLC. ANY USE OR REPRODUCTION OF THIS DRAWING WITHOUT WRITTEN AUTHORIZATION FROM COMET SIGNS, LLC IS STRICTLY PROHIBITED. OWNERSHIP AND COPYRIGHT IS RETAINED IN ACCORDANCE WITH U.S. AND INTERNATIONAL TRADEMARK / COPYRIGHT LAWS.



CUSTOMER APPROVAL

APPROVED BY: _____ DATE: ____ / ____ / ____



EXISTING

SIGN WILL MOUNT OUT OF WALKWAY,
PARALLEL TO WINDOWS,
ONSITE CONTACT TO CONFIRM LOCATION



PROPOSED

SCOPE OF WORK

INSTALL ONLY.

INSTALL CUSTOMER PROVIDED SIGN.
SIGN WILL COME WITH SUPPORTS, FASTENERS, PLATES AND INSTALL INSTRUCTIONS.



CUSTOMER APPROVAL

APPROVED BY: _____ DATE: ____ / ____ / ____

Job Name:

**SLB
New Orleans**

Proposal Drawing
 Final Drawing

Client: Modulex A/S
Location: 901 Saint Charles Ave, New Orleans, LA 70130

Salesperson: Grady Brown
Prj. Mngr.: Rachel Moore
Date: 11/07/2023
Designer: Eric Martin
File Name: 23-3191 SLB, New Orleans pkg FINAL_cdr
Proposal #: 76492 (23-3191 R1)
Job #: 23-3191

Revisions (M/D/Y)-(initials): desc.
J#:11/14/23:EM: survey info
R1:11/15/23:EM: add1 info



A Comet Signs COMPANY

TDLR #: 18010
MET #: E113766
7630 Hansen Road
Houston, TX 77061
(713) 943-1831



THIS DRAWING IS THE EXCLUSIVE PROPERTY OF COMET SIGNS, LLC. ANY USE OR REPRODUCTION OF THIS DRAWING WITHOUT WRITTEN AUTHORIZATION FROM COMET SIGNS, LLC, IS STRICTLY PROHIBITED. OWNERSHIP AND COPYRIGHT IS RETAINED IN ACCORDANCE WITH U.S. AND INTERNATIONAL TRADEMARK / COPYRIGHT LAWS.